



Why Choose Rexnord Addax Cooling Tower Brakes?



Industries Served

Power Generation
Refineries
Petrochemical
Pulp & Paper
Steel Manufacture

Key Applications

Cooling Towers

SAFETY

The Rexnord® Addax® Cooling Tower Brake eliminates the need to use ropes, makeshift stopping devices such as 2x4s, or other unsafe practices to control hazards of “free-wheeling” fans. Plant personnel can perform service work inside the cell without risking serious injury.

SAVE TIME AND COSTS

In the event of high winds or impending storm conditions, your fan can be shut down in a matter of minutes, helping to reduce the time to prepare for a plant lockdown and prevent costly damage to nearby equipment.

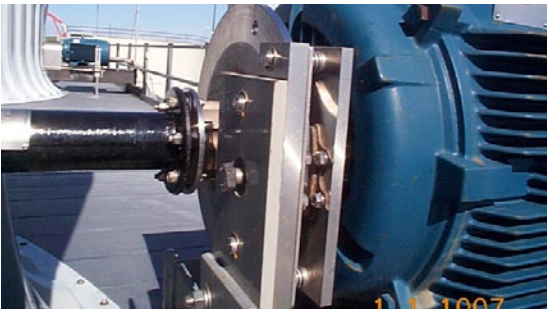
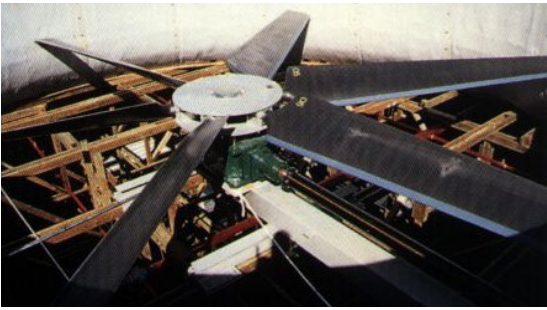
EASE OF INSTALLATION

With universal brake mounting at 3, 6, and 9 o'clock positions, and optional end-of-hub or sandwich mounting configurations, adapting to your Rexnord Addax Composite Cooling Tower Coupling is made easy.

REDUCED MAINTENANCE

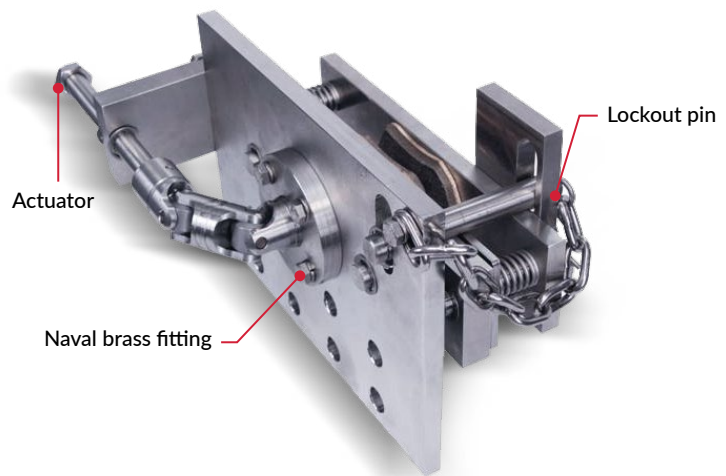
As a result of a simple design and critical components made from corrosion-resistant, 316 stainless steel, you'll experience less maintenance and more uptime. Additionally, actuation features allow employees to be in direct control of fan free-wheeling during maintenance.





Rexnord Addax Cooling Tower Brakes

- Safely and effectively isolates fan for protection of plant personnel and equipment
- Cross-pin locking feature for fan lockout
- Critical components made from 316 stainless steel offer corrosion resistance
- Remote actuation outside of fan stack maximizes safety
- Simple, low-maintenance design
- Universal mounting – brake mounting position at 3, 6 and 9 o'clock
- Naval brass fittings eliminate the potential for galvanic corrosion



WHY CHOOSE REXNORD?

When it comes to providing highly engineered products that improve productivity and efficiency for industrial applications worldwide, Rexnord is the most reliable in the industry. Our commitment to customer satisfaction and superior value extends to every area of our business.

Delivering Lowest Total Cost of Ownership

The highest quality products are designed to help prevent equipment downtime, increase productivity and deliver dependable operation.

Valuable Expertise

An extensive product offering is accompanied by global sales specialists, customer service and maintenance support teams, available anytime.

Solutions to Enhance Ease of Doing Business

Our commitment to operational excellence means you benefit from getting the right products to the right place at the right time.

Process & Motion Control Products & Solutions for Your Business:

- Bearings
- Conveying Solutions
- Couplings
- Gear
- Industrial Chain
- PT Drive Components
- Smart Solutions



rexnord.com

Contact us – visit rexnord.com/contact



OUR INNOVATION MOVES