



BY JOHNSON CONTROLS

Form 120.200-SPL (AUG 2011)

**SERVICE PARTS LIST**

File: SERVICE MANUAL - Section 120  
Replaces: 120.200-SPL (APR 2011)  
Dist: 3, 3a, 3b, 3c

# VERTICAL and HORIZONTAL RECIRCULATOR PACKAGES

MODELS: VRP / HRP

**HOW TO USE SERVICE PARTS LIST**

This Service Parts List is for standard Liquid Recirculator Packages, Models HRP and VRP. Units built with special options, modifications, or conversions are not taken into consideration.

This Service Parts List provides identification for detail parts by Figure and Index Number, Part Number and Description. To determine correct replacement item, locate item on Figure 1, 2, etc., note Index number, refer to corresponding Index number in parts list for part number and description. Quantity per assembly is located in QTY. column. Unit of measure is always "each" unless specified otherwise in Quantity column. When Ref. is in QTY. column, this means that the Item Number is for information only and is not necessarily a service replacement part. Contact Baltimore Parts Center for more information. REV. (Revision) column tells the level of the engineering drawing parts were taken from. The P & I REF. column gives the reference number of the item as shown on the Piping and Instrumentation drawing.

The Numerical Parts List can be used to locate a specific item in the Service Parts List. Look for the part by Frick Part Number and it will refer you to the Figure and Index Number where it is located.

Abbreviations found in this manual include:

A/R	As Required	KW	Kilowatt	Ref.	Reference
BW	Butt Weld	MPT	Male Pipe Thread	SC	Seal Cap
HW	Hand Wheel	NC	Normally Closed	SW	Socket Weld
FPT	Female Pipe Thread	NPT	National Pipe Thread	WIL	Weld-In-Line

The Vertical Unit Data Plate listing model/serial number etc., is attached to the frame below pump #1.

The Horizontal Unit Data Plate listing model/serial number etc., is attached to the frame between pumps.

**NOTE: PLEASE PROVIDE ORDER NUMBER, UNIT MODEL NUMBER, AND UNIT SERIAL NUMBER WHEN REQUESTING A QUOTATION OR PLACING AN ORDER. FAILURE TO INCLUDE THIS INFORMATION MAY DELAY PROCESSING OF YOUR REQUEST.**

**TABLE OF CONTENTS**

HOW TO USE SERVICE PARTS LIST .....2  
 RECOMMENDED SPARE PARTS - CURRENT DESIGN .....3  
 Figure 1a. General Arrangement, Vertical Liquid Recirculator, Cornell Pump, Typical. ....4  
 Figure 1b. General Arrangement, Vertical Liquid Recirculator, Cornell Pump, Typical. ....5  
 Figure 1c. General Arrangement, Horizontal Liquid Recirculator, Cornell Pump, Typical. ....6  
 Figure 1d. General Arrangement, Horizontal Liquid Recirculator, Cornell Pump, Typical. ....7  
 Figure 2a. General Arrangement, Vertical Liquid Recirculator, Teikoku Pump, Typical. ....14  
 Figure 2b. General Arrangement, Vertical Liquid Recirculator, Teikoku Pump, Typical. ....15  
 Figure 2c. General Arrangement, Horizontal Liquid Recirculator, Teikoku Pump, Typical. ....16  
 Figure 2d. General Arrangement, Horizontal Liquid Recirculator, Teikoku Pump, Typical. ....17  
 Figure 3. P & I, Liquid Feed Assembly, Cornell/Teikoku Pump, Typical (Optional).....24  
 Figure 4. Evacuation and Charge Kit. ....29  
 NUMERICAL PARTS LIST .....30

RECOMMENDED SPARE PARTS - CURRENT DESIGN

NOTE: PLEASE PROVIDE FRICK® ORDER NUMBER, UNIT MODEL NUMBER, AND UNIT SERIAL NUMBER WHEN REQUESTING A QUOTATION OR PLACING AN ORDER. FAILURE TO INCLUDE THIS INFORMATION MAY DELAY PROCESSING OF YOUR REQUEST.

DESCRIPTION	QTY	MODEL	PART NUMBER
Seal Kit, Cornell Pump 2CB-5-4	1	Cornell Pump	960A0087H11
Seal Kit, Cornell Pump 3CB-7.5-6	1	Cornell Pump	960A0087H12
Seal Kit, Cornell Pump 3CB-10-6	1	Cornell Pump	960A0087H12
Seal Kit, Cornell Pump 1.5CBH-7.5-4	1	Cornell Pump	960A0087H13
Seal Kit, Cornell Pump 2.5CBH-10-4	1	Cornell Pump	960A0087H14
Seal Kit, Cornell Pump 2.5CBH-15-4	1	Cornell Pump	960A0087H14
Seal Kit, Cornell Pump 3CB-15-6	1	Cornell Pump	960A0087H12
Seal Kit, Teikoku Pump	1	Teikoku Pump	contact factory
Float Switch, Hermetically Sealed, Hansen	1	ALL	913A0120H10
Reflex Lens Kit, Level Eye w/Frost Shield	1	ALL	944A0443H21
Frost Shield Kit, Level Eye w/Frost Shield	1	ALL	944A0443H22
Heater, Oil Pot, 1 KW	1	ALL	contact factory
Heater, Oil Pot, 1.5 KW	1	ALL	contact factory
Repair Kit Complete (less stem), Valve, Angle/Globe, SC, 1/2-3/4" SW	1	ALL	950A0232H21
Repair Kit Complete (less stem), Valve, Angle/Globe, SC, 1-1 1/2" SW	1	ALL	950A0232H22
Repair Kit Complete (less stem), Valve, Angle/Globe, SC/HW, 2" SW	1	ALL	950A0232H23
Repair Kit Complete (less stem), Valve, Angle, HW, 2 1/2" BW	1	36-60	950A0240H24
Repair Kit Complete (less stem), Valve, Angle, HW, 3" BW	1	36-96	950A0240H25
Repair Kit Complete (less stem), Valve, Angle, HW, 4" BW	1	36-96	950A0240H26
Repair Kit Complete (less stem), Valve, Angle, HW, 5" BW	1	36-96	950A0240H27
Repair Kit Complete (less stem), Valve, Angle, HW, 6" BW	1	54-96	950A0240H28
Repair Kit Complete (less stem), Valve, Angle, HW, 8" BW	1	72-96	950A0240H29
Coil, 208-204 Volt, 50/60 Hz, Valve, Solenoid Danfoss ICS	1	ALL	950A0293H06
Coil, 110-120 Volt, 50/60 Hz, Valve, Solenoid Danfoss ICS	1	ALL	950A0293H07
Transducer, Pressure, 0-500 PSI (if Quantum™ installed)	1	ALL	913A0146H02
Repair Kit Complete, Check Valve, Angle, 2 1/2" BW	1	ALL	956A0061H12
Repair Kit Complete, Check Valve, Angle, 3" BW	1	ALL	956A0061H13
Repair Kit Complete, Check Valve, Angle, 4" BW	1	ALL	956A0061H14
Valve, Angle, Stop, Needle, SC 1/4" MPT x 1/4" FPT	1	ALL	950A0292H01
Gasket, Flange, 3/4" (Volute Vent Line)	1	Cornell Pump	959A0054H02
Gasket, Danfoss Probe	1	ALL	contact factory
Electronic Head, Danfoss Probe	1	ALL	contact factory
Kit, 1 1/4" Strainer and Gasket	1	ALL	950A0320H14
Kit, 1 1/2" Strainer and Gasket	1	ALL	950A0320H15
Kit, 2" Strainer and Gasket	1	ALL	950A0320H16
Kit, 2 1/2" Strainer and Gasket	1	ALL	950A0329H11
Kit, 3" Strainer and Gasket	1	ALL	950A0329H12
Kit, 4" Strainer and Gasket	1	ALL	950A0329H13
Kit, 5" Strainer and Gasket	1	ALL	950A0329H14
Kit, 6" Strainer and Gasket	1	ALL	950A0329H15
Spare Parts Kit, Complete (less stem), Hand Expansion Valve, 1"	1	ALL	954A0062H28
Spare Parts Kit, Complete (less stem), Hand Expansion Valve, 1 1/4"	1	ALL	954A0062H29
Spare Parts Kit, Complete (less stem), Hand Expansion Valve, 1 1/2"	1	ALL	954A0063H22
Spare Parts Kit, Complete (less stem), Hand Expansion Valve, 2"	1	ALL	954A0075H23
Spare Parts Kit, Complete (less stem), Hand Expansion Valve, 2 1/2"	1	ALL	954A0075H24
Gasket, Flange, 1 1/2"	1	Cornell Pump	959A0054H05
Gasket, Flange, 2"	1	Cornell Pump	959A0054H06
Gasket, Flange, 2 1/2"	1	Cornell Pump	959A0054H07
Gasket, Flange, 3"	1	Cornell Pump	959A0054H08
Gasket, Flange, 4"	1	Cornell Pump	959A0054H10
Gasket, Flange, 5"	1	Cornell Pump	959A0054H11
Gasket, Flange, 6"	1	Cornell Pump	959A0054H12
Gasket, 300 Class Flange, 1 1/2"	1	ALL	959A0054H25
Gasket, 300 Class Flange, 2"	1	Teikoku Pump	959A0054H26
Gasket, 300 Class Flange, 2 1/2"	1	Teikoku Pump	959A0054H27
Gasket, 300 Class Flange, 3"	1	Teikoku Pump	959A0054H28
Gasket, 300 Class Flange, 4"	1	Teikoku Pump	959A0054H30
Gasket, 300 Class Flange, 5"	1	Teikoku Pump	959A0054H31
Kit, Diaphragm / Gasket Replacement, Reseating Relief Regulator 3/4"	1	ALL	952A0078H21

Note: This list is based on one unit. When stocking for more than one unit, the quantity should be adjusted to meet your individual requirements.

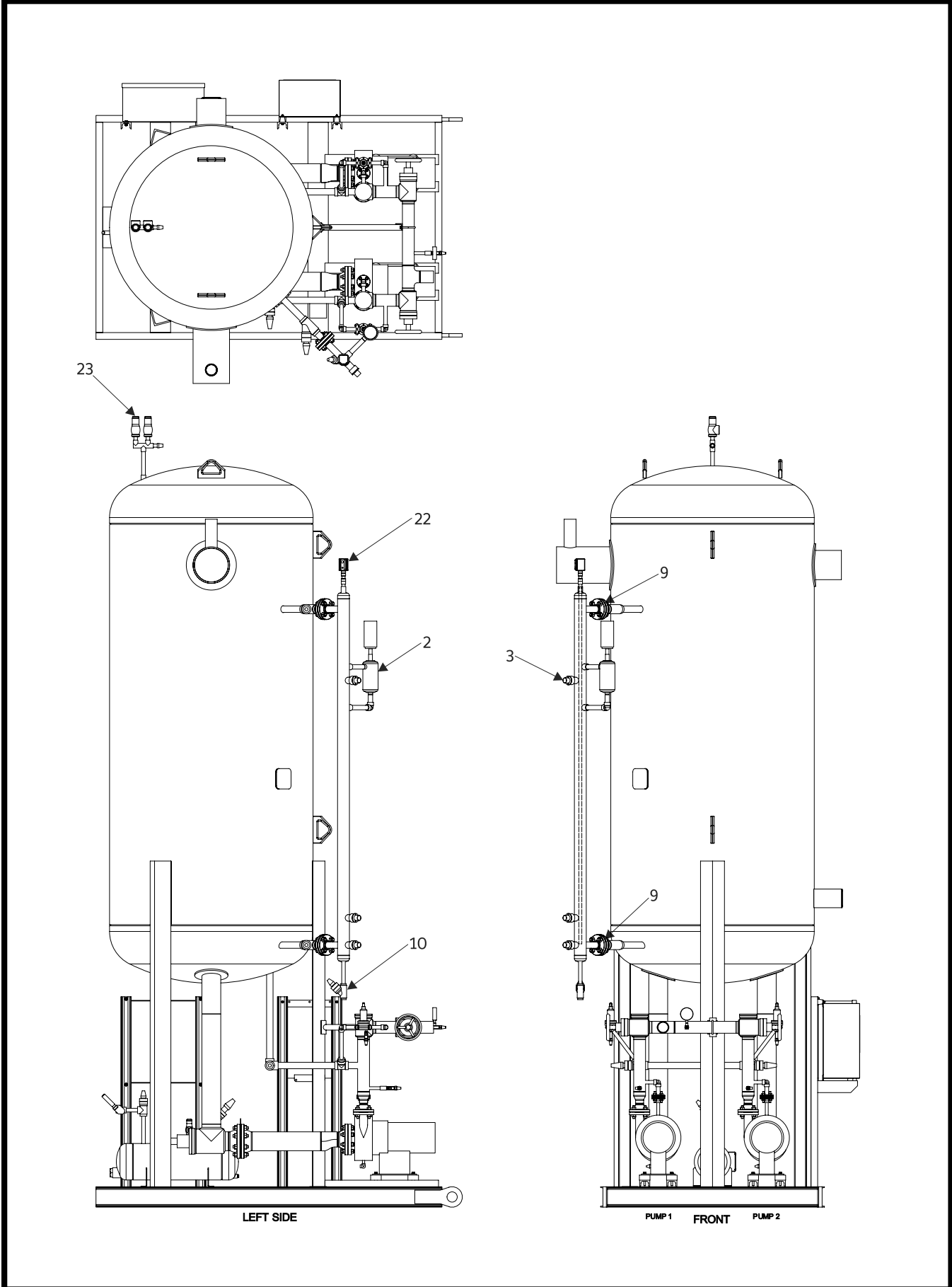


Figure 1a. General Arrangement, Vertical Liquid Recirculator, Cornell Pump, Typical.

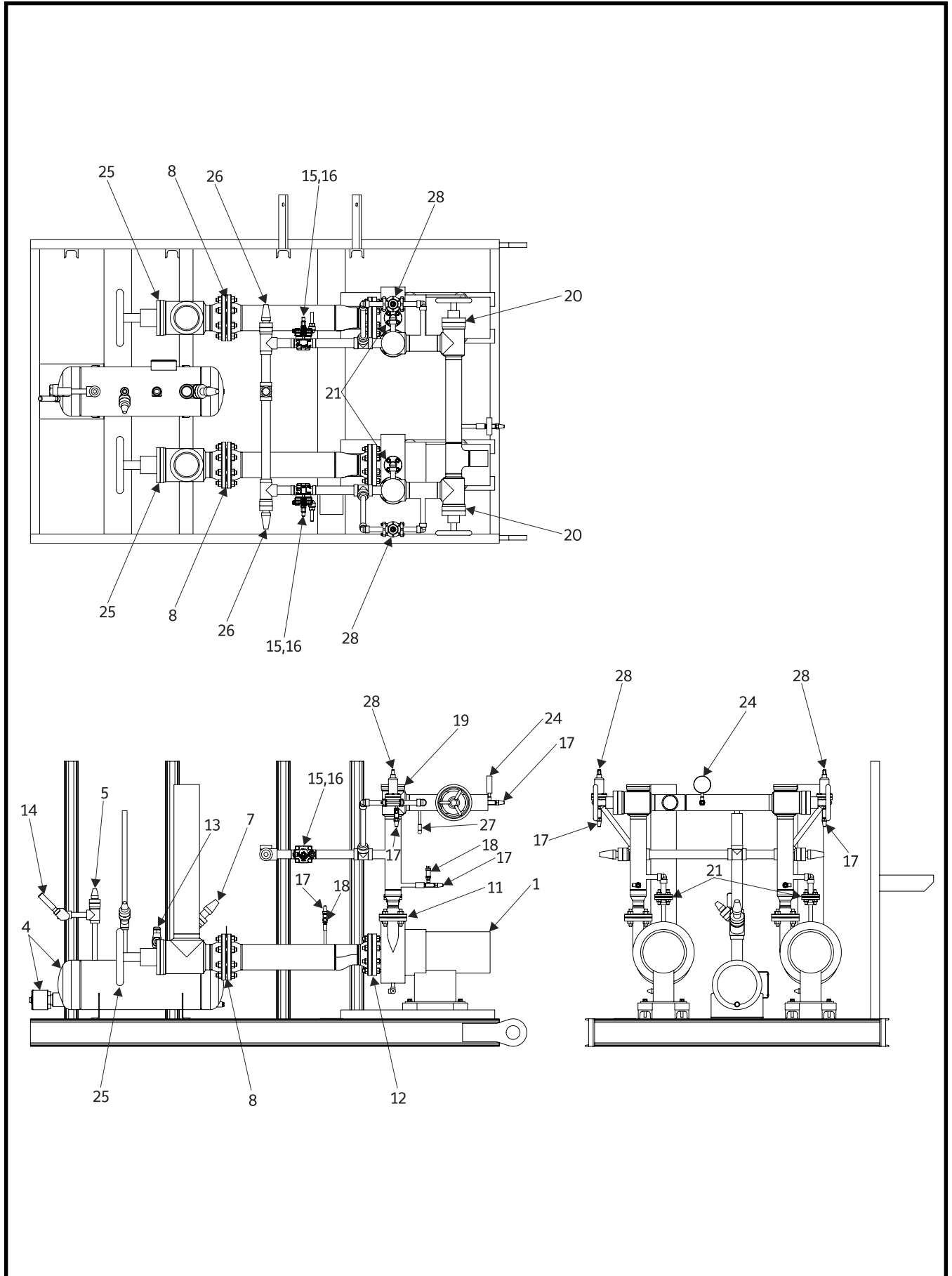


Figure 1b. General Arrangement, Vertical Liquid Recirculator, Cornell Pump, Typical.

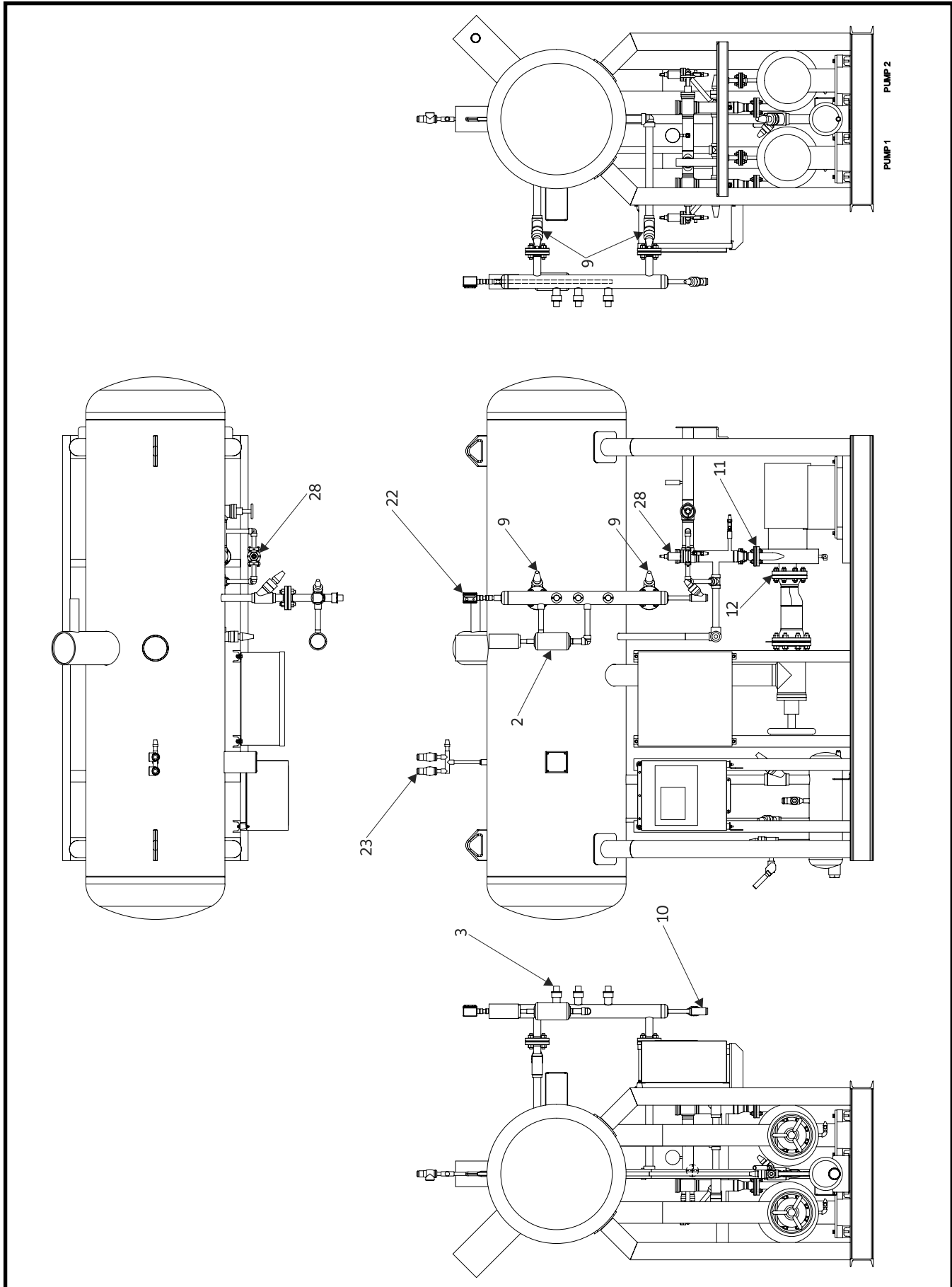
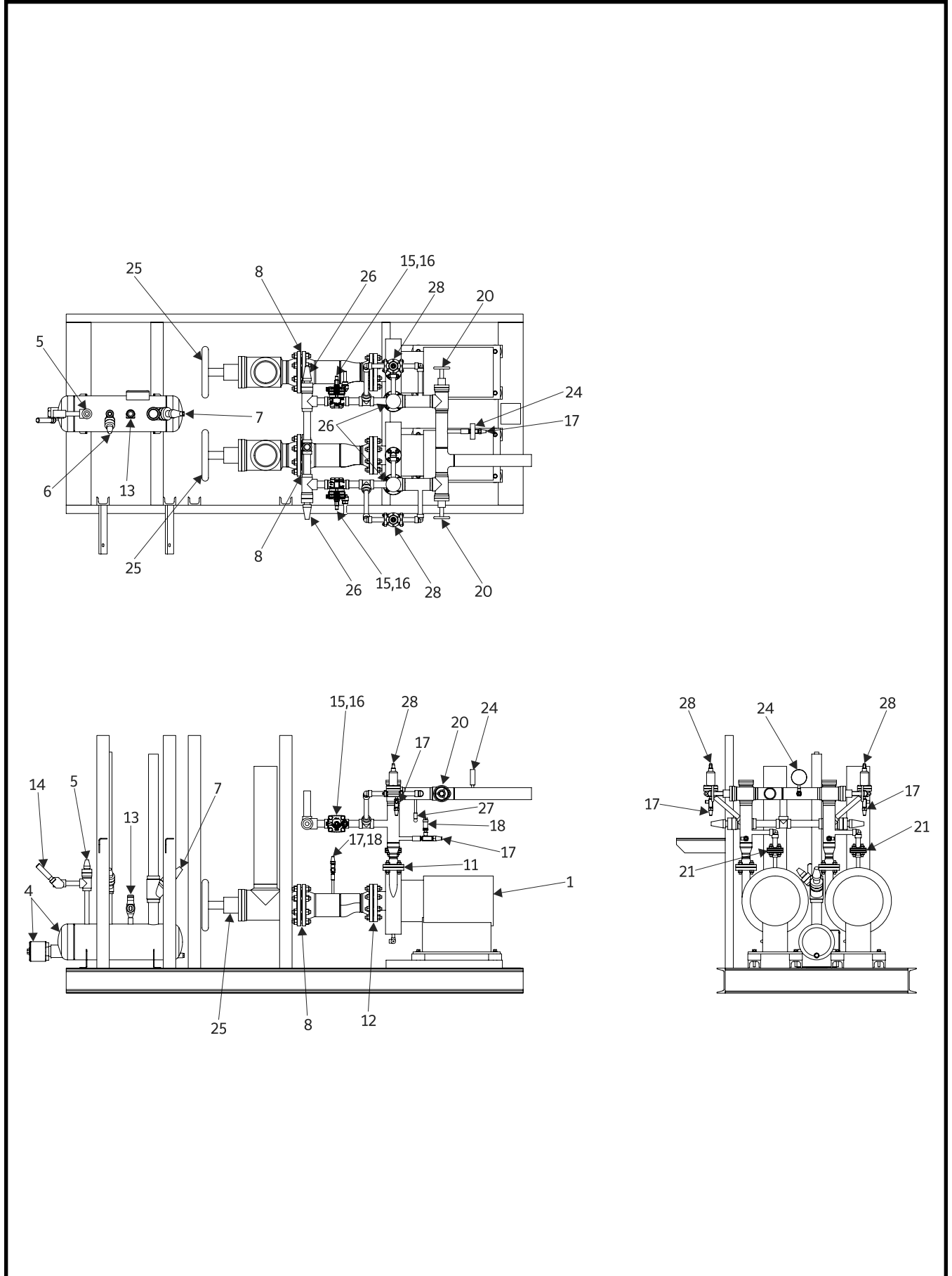


Figure 1c. General Arrangement, Horizontal Liquid Recirculator, Cornell Pump, Typical.



**Figure 1d. General Arrangement, Horizontal Liquid Recirculator, Cornell Pump, Typical.**

FIG. & INDEX	PART NUMBER	DESCRIPTION	QTY.	REV.	P & I REF.
1-	-	Vertical / Horizontal Liquid Recirculator, Cornell Pump	Ref.		
-1	-	Pump, Cornell, 2CB-5-4, 5 HP <sup>(1)</sup>	2		
	960A0087H11	Kit, Seal Replacement	2		
	-	Pump, Cornell, 3CB-7.5-6, 7.5 HP <sup>(1)</sup>	2		
	960A0087H12	Kit, Seal Replacement	2		
	-	Pump, Cornell, 3CB-10-6, 10 HP <sup>(1)</sup>	2		
	960A0087H12	Kit, Seal Replacement	2		
	-	Pump, Cornell, 1.5CBH-7.5-4, 7.5 HP <sup>(1)</sup>	2		
	960A0087H13	Kit, Seal Replacement	2		
	-	Pump, Cornell, 2.5CBH-10-4, 10 HP <sup>(1)</sup>	2		
	960A0087H14	Kit, Seal Replacement	2		
	-	Pump, Cornell, 2.5CBH-15-4, 15 HP <sup>(1)</sup>	2		
	960A0087H14	Kit, Seal Replacement	2		
	-	Pump, Cornell, 3CB-15-6, 15 HP <sup>(1)</sup>	2		
	960A0087H12	Kit, Seal Replacement	2		
	990A0093H01	Isolator, Vibration (Required for <-20°F Packages)	8		
-2	913A0120H01	Assembly, Switch, Float, Hansen	1		
	913A0120H10	Assembly, Switch, Hermetically Sealed	1		
-3	944A0443H04	Eye, Level, w/Frost Shield	A/R		
	944A0443H21	Kit, Reflex Lens (Neopr. Gkt., Reflex Lens, Fiber Gkt.)	1		
	944A0443H22	Kit, Frost Shield (O-ring, Frost Shield)	1		
-4	540E0065G02	Pot, Oil, Horizontal (8 5/8 x 30")	1		
	540E0068G02	Pot, Oil, Horizontal w/Heater Connection (8 5/8 x 30")	1		
	540E0069G02	Pot, Oil, Horizontal w/Heater Connection (10 3/4 x 36")	1		
	contact factory	Heater, 1 KW (Optional)	1		
	contact factory	Heater, 1.5 KW (Optional)	1		
-5	950A0233H02	Valve, Angle, SC, 3/4" SW	1		
	950A0232H21	Repair Kit, Complete (less stem)	1		
	950A0232H41	Kit, Cone Spare Parts	1		
	950A0232H31	Kit, Packing Gland Assbly. Spare Parts	1		
	950A0233H51	Kit, Cap and Bonnet Spare Parts	1		
	950A0233H61	Kit, Seal Cap and Gasket Spare Parts	1		
-6	950A0245H02	Valve, Globe, SC, 3/4" SW	1		
	950A0232H21	Repair Kit, Complete (less stem)	1		
	950A0232H41	Kit, Cone Spare Parts	1		
	950A0232H31	Kit, Packing Gland Assbly. Spare Parts	1		
	950A0233H51	Kit, Cap and Bonnet Spare Parts	1		
	950A0233H61	Kit, Seal Cap and Gasket Spare Parts	1		
-7	950A0245H06	Valve, Globe, SC, 2" SW	1		
	950A0232H23	Repair Kit, Complete	1		
	950A0232H43	Kit, Cone Spare Parts	1		
	950A0232H33	Kit, Packing Gland Assbly. Spare Parts	1		
	950A0233H53	Kit, Cap and Bonnet Spare Parts	1		
	950A0233H62	Kit, Seal Cap and Gasket Spare Parts	1		
-8	959A0054H10	Gasket, Flange, 4"	4		
	569A0259H03	Disk, Spacer, 4"	2		



FIG. & INDEX	PART NUMBER	DESCRIPTION	QTY.	REV.	P & I REF.
	959A0054H11	Gasket, Flange, 5"	4		
	569A0259H04	Disk, Spacer, 5"	2		
	959A0054H12	Gasket, Flange, 6"	4		
	569A0259H05	Disk, Spacer, 6"	2		
	959A0054H13	Gasket, Flange, 8"	4		
	569A0259H06	Disk, Spacer, 8"	2		
-9	760B0001G01	Assembly, Valve, w/Flange, 150 Class (Float Column)	Ref.		
	950A0244H05	Valve, Globe, HW, 1 1/2" SW	2		
	950A0232H22	Kit, Complete Spare Parts (less stem)	1		
	950A0232H42	Kit, Cone Spare Parts	1		
	950A0232H32	Kit, Packing Gland Spare Parts	1		
	950A0232H52	Kit, Handwheel Spare Parts	1		
	959A0054H05	Gasket, 1 1/2" Flange, 150 Class	2		
	901A0097H08	Stud, 1/2"-13 UNC x 3 1/4"	8		
	902A0021H01	Nut, 1/2"-13 UNC	16		
	760B0002G01	Assembly, Valve, w/Flange, 300 Class (Float Column)	Ref.		
	950A0245H05	Valve, Globe, SC, 1 1/2" SW	2		
	950A0232H22	Kit, Complete Spare Parts (less stem)	1		
	950A0232H42	Kit, Cone Spare Parts	1		
	950A0232H32	Kit, Packing Gland Spare Parts	1		
	950A0232H52	Kit, Handwheel Spare Parts	1		
	959A0054H25	Gasket, 1 1/2" Flange, 300 Class	2		
	901A0099H01	Stud, 3/4"-10 UNC x 4"	8		
	902A0021H02	Nut, 3/4"-10 UNC	16		
-10	950A0249H02	Valve, Globe, SC, 3/4" FPT	1		
	950A0232H21	Kit, Spare Parts, Complete (less stem)	1		
	950A0232H41	Kit, Cone Spare Parts	1		
	950A0232H31	Kit, Packing Gland Assbly. Spare Parts	1		
	950A0233H51	Kit, Cap and Bonnet Spare Parts	1		
	950A0233H61	Kit, Seal Cap and Gasket Spare Parts	1		
-11	959A0054H05	Gasket, Flange, 1 1/2"	2		
	959A0054H06	Gasket, Flange, 2"	2		
	959A0054H07	Gasket, Flange, 2 1/2"	2		
	959A0054H08	Gasket, Flange, 3"	2		
-12	959A0054H10	Gasket, Flange, 4"	2		
	959A0054H11	Gasket, Flange, 5"	2		
	959A0054H12	Gasket, Flange, 6"	2		
-13	952A0059H08	Valve, Safety Relief, 1/2", 250 PSI	1		
-14	957A0007H01	Valve, Ball, Spring Loaded, 3/4 FPT	1		
-15	951A0116H01	Valve, Solenoid, Danfoss ICS 25-20, 1 Pilot, 1" SW <sup>(2)</sup>	2		
	951A0116H02	Valve, Solenoid, Danfoss ICS 25-25, 1 Pilot, 1" SW <sup>(2)</sup>	2		
	950A0293H06	Coil, 208-204 Volt, 50/60 Hertz	1		
	950A0293H07	Coil, 110-120 Volt, 50/60 Hertz	1		
	951A0116H11	ICS 25-20 Function Module, Gasket, O-rings	1		
	951A0116H12	ICS 25-25 Function Module, Gasket, O-rings	1		
	951A0116H13	ICS 25 Top Cover, 1 Pilot, incl. bolts	1		
	951A0116H14	ICS 25 Spare Parts Service Kit	1		

VERTICAL & HORIZONTAL LIQUID RECIRCULATOR PACKAGES  
SERVICE PARTS LIST



FIG. & INDEX	PART NUMBER	DESCRIPTION	QTY.	REV.	P & I REF.
	951A0116H15	ICS 25 Blank Top Cover, incl. bolts and gasket	1		
	951A0116H16	EVM, NC	1		
-16	951A0117H01	Valve, Solenoid, Danfoss ICS 32, 1 Pilot, 1 1/4" SW <sup>(2)</sup>	2		
	950A0293H06	Coil, 208-204 Volt, 50/60 Hertz	1		
	950A0293H07	Coil, 110-120 Volt, 50/60 Hertz	1		
	951A0117H11	ICS 32 Function Module, Gasket, O-rings	1		
	951A0117H12	ICS 32 Top Cover, 1 Pilot, incl. bolts	1		
	951A0117H13	ICS 32 Spare Parts Service Kit	1		
	951A0117H14	ICS 32 Blank Top Cover, incl. bolts and gasket	1		
	951A0116H16	EVM, NC	1		
-17	950A0292H01	Valve, Angle, Stop, Needle, SC 1/4" MPT x 1/4" FPT	5/7		
-18	913A0146H02	Transducer, Pressure, 0-500 PSI (If Quantum installed)	4		
	649A0890H02	Connector, DIN	4		
	649A0890H11	Gasket	4		
	531A0042H01	Snubber	4		
-19	956A0061H02	Valve, Check, Angle, 2 1/2" BW	2		
	956A0061H12	Kit, Spare Parts, Cone Complete <sup>(3)</sup>	1		
	956A0061H22	Kit, Spare Parts, Cylinder <sup>(4)</sup>	1		
	956A0061H32	Kit, Gasket Set <sup>(5)</sup>	1		
	956A0061H42	Spring, Standard, .58 PSIG	1		
	956A0061H52	Top w/o Spring <sup>(6)</sup>	1		
	956A0061H03	Valve, Check, Angle, 3" BW	2		
	956A0061H13	Kit, Spare Parts, Cone Complete <sup>(3)</sup>	1		
	956A0061H23	Kit, Spare Parts, Cylinder <sup>(4)</sup>	1		
	956A0061H33	Kit, Gasket Set <sup>(5)</sup>	1		
	956A0061H43	Spring, Standard, .58 PSIG	1		
	956A0061H53	Top w/o Spring <sup>(6)</sup>	1		
	956A0061H04	Valve, Check, Angle, 4" BW	2		
	956A0061H14	Kit, Spare Parts, Cone Complete <sup>(3)</sup>	1		
	956A0061H24	Kit, Spare Parts, Cylinder <sup>(4)</sup>	1		
	956A0061H34	Kit, Gasket Set <sup>(5)</sup>	1		
	956A0061H44	Spring, Standard, .58 PSIG	1		
	956A0061H54	Top w/o Spring <sup>(5)</sup>	1		
-20	950A0240H07	Valve, Angle, HW, 2 1/2" BW	2		
	950A0240H24	Kit, Spare Parts, Complete (less stem) <sup>(7)</sup>	1		
	950A0240H44	Kit, Cone Spare Parts <sup>(8)</sup>	1		
	950A0232H33	Kit, Packing Gland Assy. Spare Parts <sup>(9)</sup>	1		
	950A0232H53	Kit, Handwheel, Spare Parts <sup>(10)</sup>	1		
	950A0240H08	Valve, Angle, HW, 3" BW	2		
	950A0240H25	Kit, Spare Parts, Complete (less stem) <sup>(7)</sup>	1		
	950A0240H45	Kit, Cone Spare Parts <sup>(7)</sup>	1		
	950A0232H34	Kit, Packing Gland Assy. Spare Parts <sup>(9)</sup>	1		
	950A0232H54	Kit, Handwheel, Spare Parts <sup>(10)</sup>	1		
	950A0240H09	Valve, Angle, HW, 4" BW	2		
	950A0240H26	Kit, Spare Parts, Complete (less stem) <sup>(7)</sup>	1		
	950A0240H46	Kit, Cone Spare Parts <sup>(8)</sup>	1		
	950A0232H34	Kit, Packing Gland Assy. Spare Parts <sup>(9)</sup>	1		
	950A0232H55	Kit, Handwheel, Spare Parts <sup>(10)</sup>	1		
-21	959A0054H02	Gasket, Flange, 3/4" (Volute Vent Line)	2		

FIG. & INDEX	PART NUMBER	DESCRIPTION	QTY.	REV.	P & I REF.
-22	913A0131H07	Probe, Danfoss, 30" (Horizontal)	1		
	913A0131H08	Probe, Danfoss, 35" (Horizontal)	1		
	913A0131H09	Probe, Danfoss, 45" (Horizontal)	1		
	913A0131H11	Probe, Danfoss, 65" (Horizontal)	1		
	913A0131H12	Probe, Danfoss, 85" (Vertical)	1		
	913A0131H13	Probe, Danfoss, 105" (Vertical)	1		
	contact factory	Gasket, Danfoss Probe	1		
	contact factory	Electronic Head, Danfoss Probe	1		
-23	760M0018G01	Assembly, Valve, Safety, Dual, 250 PSIG (813 Vert., 3/4")	1		
	952A0051H08	Valve, Safety Relief, Shank 813	2		
	955B0005H01	Manifold, 3-Way, 1/2"	1		
	760M0018G02	Assembly, Valve, Safety, Dual, 250 PSIG (813 90°, 3/4")	1		
	952A0051H08	Valve, Safety Relief, Shank 813	2		
	955B0005H01	Manifold, 3-Way, 1/2"	1		
	760M0018G03	Assembly, Valve, Safety, Dual, 250 PSIG (814 Vert., 3/4")	1		
	952A0052H08	Valve, Safety Relief, Shank 814, 3/4" FPT x 1 1/4" FPT	2		
	955B0005H02	Manifold, 3-Way, 3/4"	1		
	760M0018G04	Assembly, Valve, Safety, Dual, 250 PSIG (814 90°, 3/4")	1		
	952A0052H08	Valve, Safety Relief, Shank 814, 3/4" FPT x 1 1/4" FPT	2		
	955B0005H02	Manifold, 3-Way, 3/4"	1		
	760M0018G05	Assembly, Valve, Safety, Dual, 250 PSIG (814 Vert., 1")	1		
	952A0052H08	Valve, Safety Relief, Shank 814, 3/4" FPT x 1 1/4" FPT	2		
	955B0005H02	Manifold, 3-Way, 3/4"	1		
	760M0018G05	Assembly, Valve, Safety, Dual, 250 PSIG (814 Vert., 1")	1		
	952A0052H08	Valve, Safety Relief, Shank 814, 3/4" FPT x 1 1/4" FPT	2		
	955B0005H02	Manifold, 3-Way, 3/4"	1		
	760M0018G06	Assembly, Valve, Safety, Dual, 250 PSIG (814 90°, 1")	1		
	952A0052H08	Valve, Safety Relief, Shank 814, 3/4" FPT x 1 1/4" FPT	2		
	955B0005H02	Manifold, 3-Way, 3/4"	1		
	760M0018G07	Assembly, Valve, Safety, Dual, 250 PSIG (815 Vert., 1")	1		
	952A0053H08	Valve, Safety Relief, Shank 815, 1" FPT x 1 1/2" FPT	2		
	955B0005H03	Manifold, 3-Way, 1"	1		
	760M0018G08	Assembly, Valve, Safety, Dual, 250 PSIG (815 90°, 1")	1		
	952A0053H08	Valve, Safety Relief, Shank 815, 1" FPT x 1 1/2" FPT	2		
	955B0005H03	Manifold, 3-Way, 1"	1		
	760M0018G09	Assembly, Valve, Safety, Dual, 250 PSIG (801 Vert., 3/4")	1		
	952A0060H08	Valve, Safety Relief, Shank 801, 1/2" MPT x 3/4" FPT	2		
	955B0005H01	Manifold, 3-Way, 1/2"	1		
	760M0018G10	Assembly, Valve, Safety, Dual, 250 PSIG (801 90°, 3/4")	1		
	952A0060H08	Valve, Safety Relief, Shank 801, 1/2" MPT x 3/4" FPT	2		
	955B0005H01	Manifold, 3-Way, 1/2"	1		
	760M0018G11	Assembly, Valve, Safety, Dual, 250 PSIG (812 Vert., 3/4")	1		
	952A0062H08	Valve, Safety Relief, Shank 812, 1/2" MPT x 1" MPT	2		
	955B0005H01	Manifold, 3-Way, 1/2"	1		
760M0018G12	Assembly, Valve, Safety, Dual, 250 PSIG (812 90°, 3/4")	1			
952A0062H08	Valve, Safety Relief, Shank 812, 1/2" MPT x 1" MPT	2			
955B0005H01	Manifold, 3-Way, 1/2"	1			
-24	990A0011H02	Gauge, Pressure, 30" Vac - 400 PSIG	1		
-25	950A0240H09	Valve, Angle, HW, 4" BW	2		
	950A0240H26	Kit, Spare Parts, Complete (less stem) <sup>(7)</sup>	1		
	950A0240H46	Kit, Cone Spare Parts <sup>(8)</sup>	1		
	950A0232H34	Kit, Packing Gland Assy. Spare Parts <sup>(9)</sup>	1		

FIG. & INDEX	PART NUMBER	DESCRIPTION	QTY.	REV.	P & I REF.
	950A0232H55	Kit, Handwheel, Spare Parts <sup>(10)</sup>	1		
	950A0240H10	Valve, Angle, HW, 5" BW	2		
	950A0240H27	Kit, Spare Parts, Complete (less stem) <sup>(7)</sup>	1		
	950A0240H47	Kit, Cone Spare Parts <sup>(8)</sup>	1		
	950A0232H35	Kit, Packing Gland Assy. Spare Parts <sup>(9)</sup>	1		
	950A0232H56	Kit, Handwheel, Spare Parts <sup>(10)</sup>	1		
	950A0240H11	Valve, Angle, HW, 6" BW	2		
	950A0240H28	Kit, Spare Parts, Complete (less stem) <sup>(7)</sup>	1		
	950A0240H48	Kit, Cone Spare Parts <sup>(8)</sup>	1		
	950A0232H35	Kit, Packing Gland Assy. Spare Parts <sup>(9)</sup>	1		
	950A0232H56	Kit, Handwheel, Spare Parts <sup>(10)</sup>	1		
	950A0240H12	Valve, Angle, HW, 8" BW	2		
	950A0240H29	Kit, Spare Parts, Complete (less stem) <sup>(7)</sup>	1		
	950A0240H49	Kit, Cone Spare Parts <sup>(8)</sup>	1		
	950A0232H36	Kit, Packing Gland Assy. Spare Parts <sup>(9)</sup>	1		
	950A0232H57	Kit, Handwheel, Spare Parts <sup>(10)</sup>	1		
-26	954A0063H03	Valve, Angle, Hand Expansion, SC, 1" SW	2		
	954A0062H28	Kit, Spare Parts, Complete (less stem) <sup>(11)</sup>	1		
	954A0062H23	Kit, Bonnet and Cap <sup>(12)</sup>	1		
	954A0062H33	Kit, Packing Gland Assy. Spare Parts <sup>(13)</sup>	1		
	954A0062H38	Kit, Cap and Gasket Spare Parts <sup>(14)</sup>	1		
	954A0063H04	Valve, Angle, Hand Expansion, SC, 1 1/4" SW	2		
	954A0062H29	Kit, Spare Parts, Complete (less stem) <sup>(11)</sup>	1		
	954A0062H24	Kit, Bonnet and Cap <sup>(12)</sup>	1		
	954A0062H34	Kit, Packing Gland Assy. Spare Parts <sup>(13)</sup>	1		
	954A0062H39	Kit, Cap and Gasket Spare Parts <sup>(14)</sup>	1		
	954A0063H05	Valve, Angle, Hand Expansion, SC, 1 1/2" SW	2		
	954A0063H22	Kit, Spare Parts, Complete (less stem) <sup>(11)</sup>	1		
	954A0063H21	Kit, Bonnet and Cap <sup>(12)</sup>	1		
	954A0063H23	Kit, Packing Gland Assy. Spare Parts <sup>(13)</sup>	1		
	954A0063H24	Kit, Cap and Gasket Spare Parts <sup>(14)</sup>	1		
	954A0075H01	Valve, Angle, Hand Expansion, SC, 2" BW	2		
	954A0075H23	Kit, Spare Parts, Complete (less stem) <sup>(11)</sup>	1		
	950A0233H53	Kit, Bonnet and Cap <sup>(12)</sup>	1		
	950A0232H33	Kit, Packing Gland Assy. Spare Parts <sup>(13)</sup>	1		
	950A0233H62	Kit, Cap and Gasket Spare Parts <sup>(14)</sup>	1		
	954A0075H02	Valve, Angle, Hand Expansion, SC, 2 1/2" BW	2		
	954A0075H24	Kit, Spare Parts, Complete (less stem) <sup>(11)</sup>	1		
	950A0233H54	Kit, Bonnet and Cap <sup>(12)</sup>	1		
	950A0232H33	Kit, Packing Gland Assy. Spare Parts <sup>(13)</sup>	1		
	950A0233H62	Kit, Cap and Gasket Spare Parts <sup>(14)</sup>	1		
-27	950A0292H03	Valve, Angle, Stop, Needle, SC 1/2" MPT x 1/2" MPT <sup>(15)</sup>	2		
-28	952A0078H02	Regulator, Reseating Relief, 3/4" SW <sup>(15)</sup>	2		
	952A0078H21	Kit, Diaphragm / Gasket Replacement	1		

1. Pump Impeller may be adjusted for specific operating conditions. Contact factory before ordering.  
2. Liquid Bypass when Quantum Panel furnished  
3. Includes gasket for housing/bonnet and cone complete  
4. Includes gasket for housing/bonnet, cylinder, valve seat and O-ring for valve seat  
5. Includes gasket for housing/bonnet, cone complete and O-ring for valve seat  
6. Complete valve w/o housing  
7. Consists of Cone & Cone Seal, Set Screw, Steel Balls, Packing Gland, Housing/Bonnet O-ring, Cap Gasket, Soft Backset.  
8. Consists of Cone Complete incl. Steel Balls & Set Screw, O-ring for Housing/Bonnet.

FIG. & INDEX	PART NUMBER	DESCRIPTION	QTY.	REV.	P & I REF.
		<p>9. Consists of Packing Gland, O-rings, and Wear Ring.</p> <p>10. Consists of Handwheel (Handwheel Nut/Screw Kit numbers are: 3" &amp; 4" 950A0240H61/950A0240H64; 5" &amp; 6" 950A0240H62/950A0240H65; 8" 950A0240H63/950A0240H66</p> <p>11. Consists of Cone complete, Steel Balls, Allen Screw, Packing Gland, Housing/Bonnet O-ring, Cap Gasket, Distance Ring.</p> <p>12. Consists of O-ring for Housing/Bonnet, Cap Gasket.</p> <p>13. Consists of Packing Gland and O-rings.</p> <p>14. Consists of Cap and Gasket.</p> <p>15. When Item 28 (952A0078H02) is installed, Item 27 (950A0292H03) will not be installed on unit. When Item 27 (950A0292H03) is installed, Item 28 (952A0078H02) will not be installed on unit. item 28 is standard.</p>			

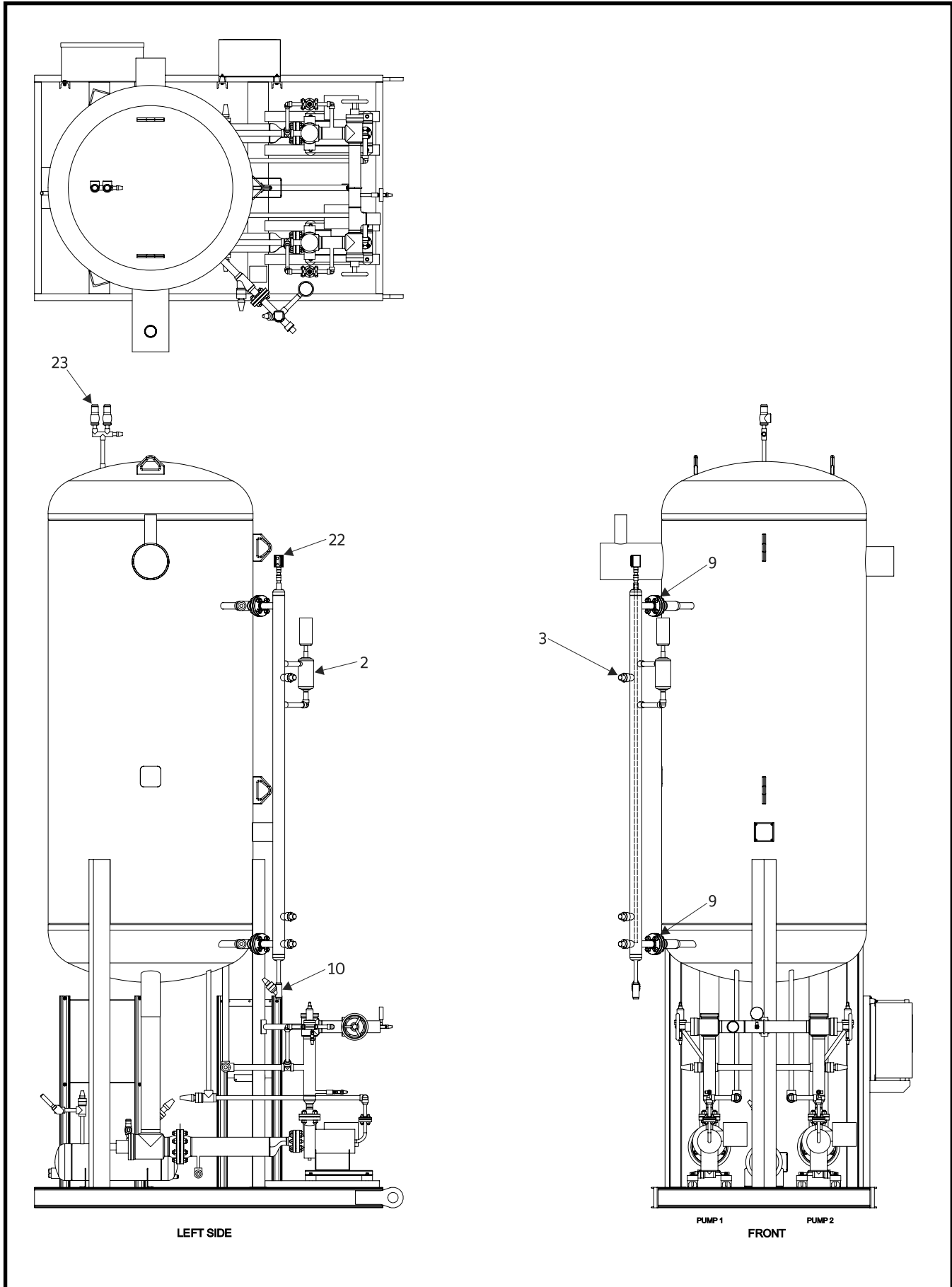


Figure 2a. General Arrangement, Vertical Liquid Recirculator, Teikoku Pump, Typical.

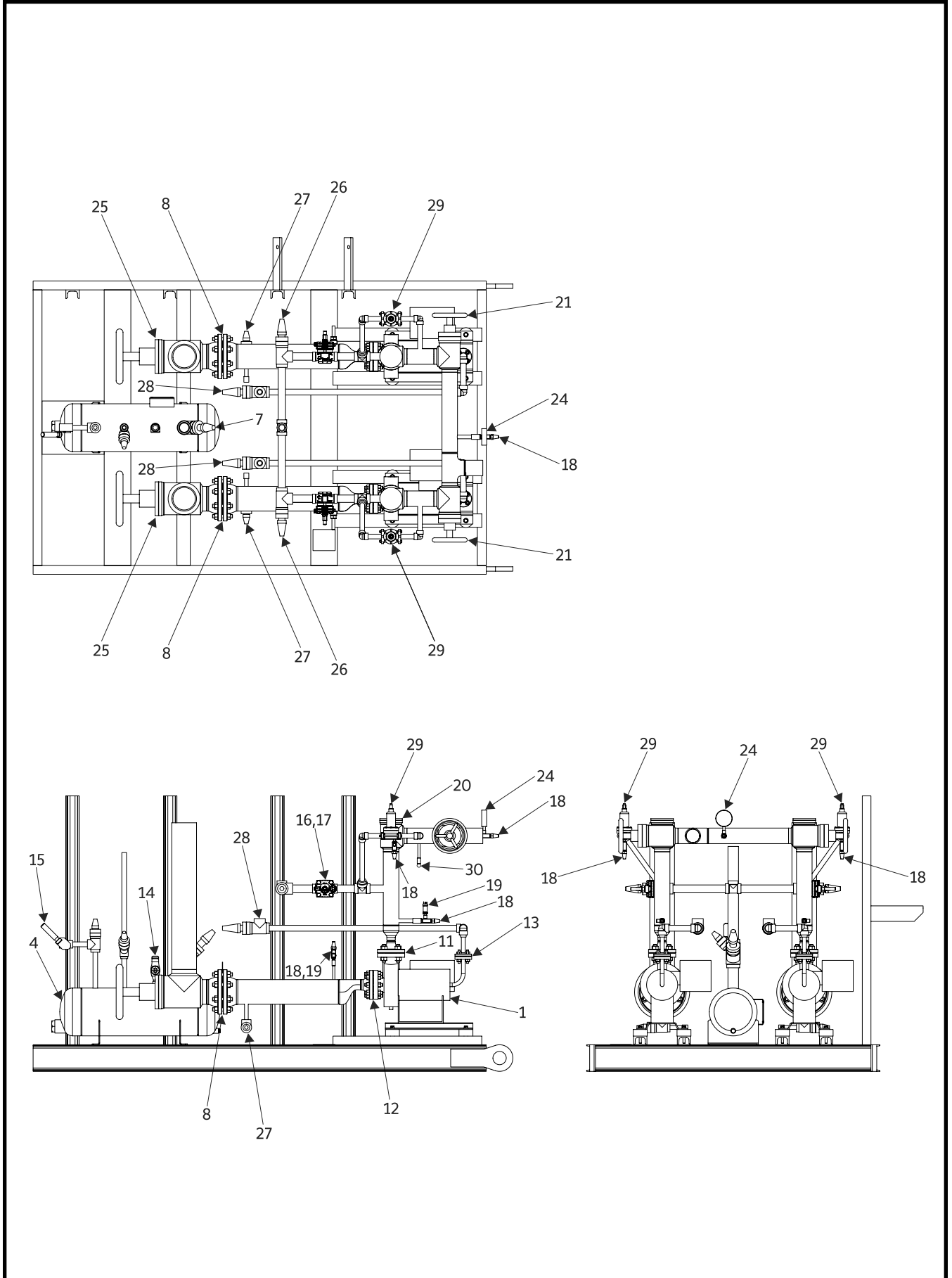


Figure 2b. General Arrangement, Vertical Liquid Recirculator, Teikoku Pump, Typical.

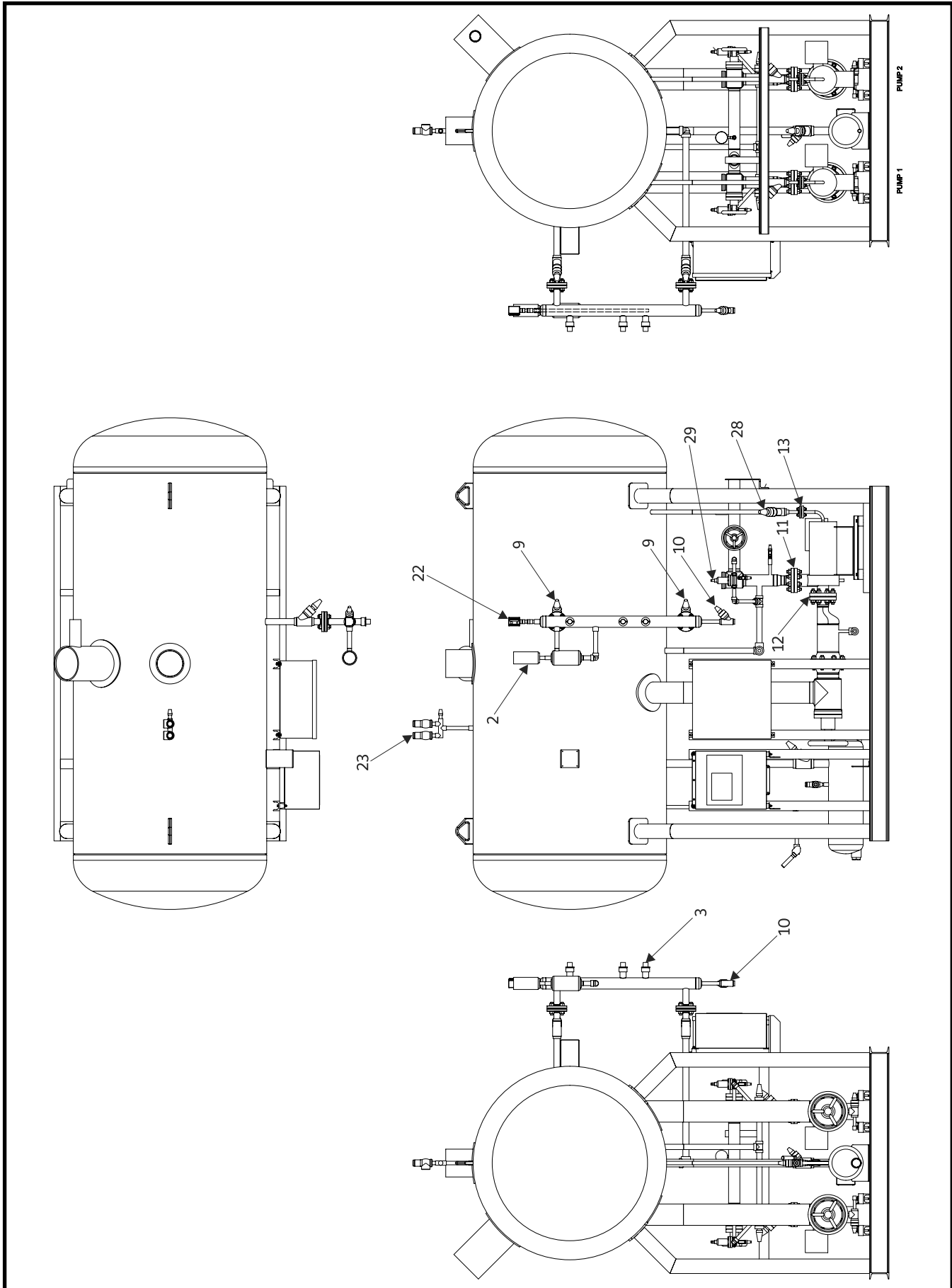


Figure 2c. General Arrangement, Horizontal Liquid Recirculator, Teikoku Pump, Typical.



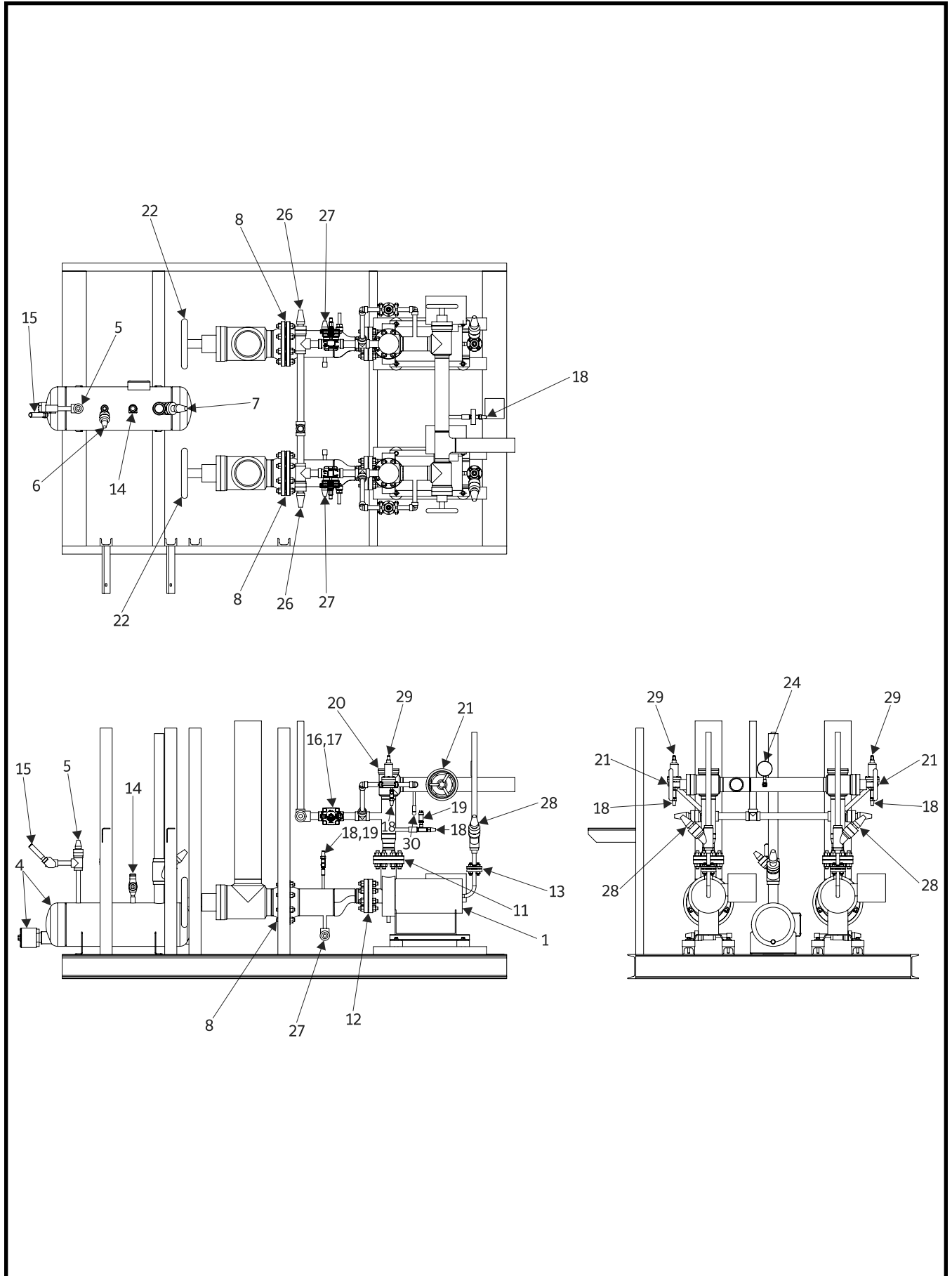


Figure 2d. General Arrangement, Horizontal Liquid Recirculator, Teikoku Pump, Typical.

FIG. & INDEX	PART NUMBER	DESCRIPTION	QTY.	REV.	P & I REF.
2-	-	Vertical / Horizontal Liquid Recirculator, Teikoku Pump	Ref.		
-1	contact factory	Pump, Teikoku, R42-216C4AM-0405S1-A, 2.9 HP	2		
	contact factory	Kit, Seal Replacement	2		
	contact factory	Pump, Teikoku, R42-316C4AM-0506T1-E, 7.3 HP	2		
	contact factory	Kit, Seal Replacement	2		
	contact factory	Pump, Teikoku, R42-217C4AM-0506S1-E, 7.3 HP	2		
	contact factory	Kit, Seal Replacement	2		
	contact factory	Pump, Teikoku, R42-316C4AM-0506T1-E, 8.3 HP	2		
	contact factory	Kit, Seal Replacement	2		
	contact factory	Pump, Teikoku, R42-316F4AM-0608TS1-E, 8.3 HP	2		
	contact factory	Kit, Seal Replacement	2		
	contact factory	Pump, Teikoku, R42-426C4M-1012U1-E, 10 HP	2		
	contact factory	Kit, Seal Replacement	2		
	contact factory	Pump, Teikoku, R42-526C4M-0810V1-E, 14.6 HP	2		
	contact factory	Kit, Seal Replacement	2		
	contact factory	Pump, Teikoku, R42-526C4M-1012V1-E, 14.7 HP	2		
	contact factory	Kit, Seal Replacement	2		
	contact factory	Pump, Teikoku, R42-526C4M-0810V1-E, 20 HP	2		
	contact factory	Kit, Seal Replacement	2		
	990A0093H01	Isolator, Vibration (Required for <-20°F Packages)	8		
-2	913A0120H01	Assembly, Switch, Float, Hansen	1		
	913A0120H10	Assembly, Switch, Hermetically Sealed	1		
-3	944A0443H04	Eye, Level, w/Frost Shield	A/R		
	944A0443H21	Kit, Reflex Lens (Neopr. Gkt., Reflex Lens, Fiber Gkt.)	1		
	944A0443H22	Kit, Frost Shield (O-ring, Frost Shield)	1		
-4	540E0068G02	Pot, Oil, Horizontal w/Heater Connection (8 5/8 x 30")	1		
	540E0069G02	Pot, Oil, Horizontal w/Heater Connection (10 3/4 x 36")	1		
	contact factory	Heater, 1 KW (Optional)	1		
	contact factory	Heater, 1.5 KW (Optional)	1		
-5	950A0233H02	Valve, Angle, SC, 3/4" SW	1		
	950A0232H21	Repair Kit, Complete (less stem)	1		
	950A0232H41	Kit, Cone Spare Parts	1		
	950A0232H31	Kit, Packing Gland Assbly. Spare Parts	1		
	950A0233H51	Kit, Cap and Bonnet Spare Parts	1		
	950A0233H61	Kit, Seal Cap and Gasket Spare Parts	1		
-6	950A0245H02	Valve, Globe, SC, 3/4" SW	1		
	950A0232H21	Repair Kit, Complete (less stem)	1		
	950A0232H41	Kit, Cone Spare Parts	1		
	950A0232H31	Kit, Packing Gland Assbly. Spare Parts	1		
	950A0233H51	Kit, Cap and Bonnet Spare Parts	1		
	950A0233H61	Kit, Seal Cap and Gasket Spare Parts	1		
-7	950A0245H06	Valve, Globe, SC, 2" SW	1		
	950A0232H23	Repair Kit, Complete	1		
	950A0232H43	Kit, Cone Spare Parts	1		
	950A0232H33	Kit, Packing Gland Assbly. Spare Parts	1		
	950A0233H53	Kit, Cap and Bonnet Spare Parts	1		
	950A0233H62	Kit, Seal Cap and Gasket Spare Parts	1		

FIG. & INDEX	PART NUMBER	DESCRIPTION	QTY.	REV.	P & I REF.
-8	959A0054H10	Gasket, Flange, 4"	4		
	569A0259H03	Disk, Spacer, 4"	2		
	959A0054H11	Gasket, Flange, 5"	4		
	569A0259H04	Disk, Spacer, 5"	2		
	959A0054H12	Gasket, Flange, 6"	4		
	569A0259H05	Disk, Spacer, 6"	2		
	959A0054H13	Gasket, Flange, 8"	4		
	569A0259H06	Disk, Spacer, 8"	2		
-9	760B0001G01	Assembly, Valve, w/Flange, 150 Class (Float Column)	Ref.		
	950A0244H05	Valve, Globe, HW, 1 1/2" SW	2		
	950A0232H22	Kit, Complete Spare Parts (less stem)	1		
	950A0232H42	Kit, Cone Spare Parts	1		
	950A0232H32	Kit, Packing Gland Spare Parts	1		
	950A0232H52	Kit, Handwheel Spare Parts	1		
	959A0054H05	Gasket, 1 1/2" Flange, 150 Class	2		
	901A0097H08	Stud, 1/2"-13 UNC x 3 1/4"	8		
	902A0021H01	Nut, 1/2"-13 UNC	16		
	760B0002G01	Assembly, Valve, w/Flange, 300 Class (Float Column)	Ref.		
	950A0245H05	Valve, Globe, SC, 1 1/2" SW	2		
	950A0232H22	Kit, Complete Spare Parts (less stem)	1		
	950A0232H42	Kit, Cone Spare Parts	1		
	950A0232H32	Kit, Packing Gland Spare Parts	1		
	950A0232H52	Kit, Handwheel Spare Parts	1		
	959A0054H25	Gasket, 1 1/2" Flange, 300 Class	2		
901A0099H01	Stud, 3/4"-10 UNC x 4"	8			
902A0021H02	Nut, 3/4"-10 UNC	16			
-10	950A0249H02	Valve, Globe, SC, 3/4" FPT	1		
	950A0232H21	Kit, Spare Parts, Complete (less stem)	1		
	950A0232H41	Kit, Cone Spare Parts	1		
	950A0232H31	Kit, Packing Gland Assbly. Spare Parts	1		
	950A0233H51	Kit, Cap and Bonnet Spare Parts	1		
	950A0233H61	Kit, Seal Cap and Gasket Spare Parts	1		
-11	959A0054H25	Gasket, 300 Class Flange, 1 1/2"	2		
	959A0054H26	Gasket, 300 Class Flange, 2"	2		
	959A0054H27	Gasket, 300 Class Flange, 2 1/2"	2		
	959A0054H28	Gasket, 300 Class Flange, 3"	2		
	959A0054H30	Gasket, 300 Class Flange, 4"	2		
-12	959A0054H26	Gasket, 300 Class Flange, 2"	2		
	959A0054H27	Gasket, 300 Class Flange, 2 1/2"	2		
	959A0054H28	Gasket, 300 Class Flange, 3"	2		
	959A0054H30	Gasket, 300 Class Flange, 4"	2		
	959A0054H31	Gasket, 300 Class Flange, 5"	2		
-13	959A0054H21	Gasket, 300 Class Flange, 1/2"	4		
	959A0054H22	Gasket, 300 Class Flange, 3/4"	4		
	959A0054H23	Gasket, 300 Class Flange, 1"	4		
-14	952A0059H08	Valve, Safety Relief, 1/2", 250 PSI	1		
-15	957A0007H01	Valve, Ball, Spring Loaded, 3/4 FPT	1		

VERTICAL & HORIZONTAL LIQUID RECIRCULATOR PACKAGES  
SERVICE PARTS LIST



FIG. & INDEX	PART NUMBER	DESCRIPTION	QTY.	REV.	P & I REF.
-16	951A0116H01	Valve, Solenoid, Danfoss ICS 25-20, 1 Pilot, 1" SW <sup>(1)</sup>	2		
	951A0116H02	Valve, Solenoid, Danfoss ICS 25-25, 1 Pilot, 1" SW <sup>(1)</sup>	2		
	950A0293H06	Coil, 208-204 Volt, 50/60 Hertz	1		
	950A0293H07	Coil, 110-120 Volt, 50/60 Hertz	1		
	951A0116H11	ICS 25-20 Function Module, Gasket, O-rings	1		
	951A0116H12	ICS 25-25 Function Module, Gasket, O-rings	1		
	951A0116H13	ICS 25 Top Cover, 1 Pilot, incl. bolts	1		
	951A0116H14	ICS 25 Spare Parts Service Kit	1		
	951A0116H15	ICS 25 Blank Top Cover, incl. bolts and gasket	1		
951A0116H16	EVM, NC	1			
-17	951A0117H01	Valve, Solenoid, Danfoss ICS 32, 1 Pilot, 1 1/4" SW <sup>(1)</sup>	2		
	950A0293H06	Coil, 208-204 Volt, 50/60 Hertz	1		
	950A0293H07	Coil, 110-120 Volt, 50/60 Hertz	1		
	951A0117H11	ICS 32 Function Module, Gasket, O-rings	1		
	951A0117H12	ICS 32 Top Cover, 1 Pilot, incl. bolts	1		
	951A0117H13	ICS 32 Spare Parts Service Kit	1		
	951A0117H14	ICS 32 Blank Top Cover, incl. bolts and gasket	1		
	951A0116H16	EVM, NC	1		
-18	950A0292H01	Valve, Angle, Stop, Needle, SC 1/4" MPT x 1/4" FPT	5/7		
-19	913A0146H02	Transducer, Pressure, 0-500 PSI (If Quantum installed)	4		
	649A0890H02	Connector, DIN	4		
	649A0890H11	Gasket	4		
	531A0042H01	Snubber	4		
-20	956A0061H02	Valve, Check, Angle, 2 1/2" BW	2		
	956A0061H12	Kit, Spare Parts, Cone Complete <sup>(2)</sup>	1		
	956A0061H22	Kit, Spare Parts, Cylinder <sup>(3)</sup>	1		
	956A0061H32	Kit, Gasket Set <sup>(4)</sup>	1		
	956A0061H42	Spring, Standard, .58 PSIG	1		
	956A0061H52	Top w/o Spring <sup>(5)</sup>	1		
	956A0061H03	Valve, Check, Angle, 3" BW	2		
	956A0061H13	Kit, Spare Parts, Cone Complete <sup>(2)</sup>	1		
	956A0061H23	Kit, Spare Parts, Cylinder <sup>(3)</sup>	1		
	956A0061H33	Kit, Gasket Set <sup>(4)</sup>	1		
	956A0061H43	Spring, Standard, .58 PSIG	1		
	956A0061H53	Top w/o Spring <sup>(5)</sup>	1		
	956A0061H04	Valve, Check, Angle, 4" BW	2		
	956A0061H14	Kit, Spare Parts, Cone Complete <sup>(2)</sup>	1		
	956A0061H24	Kit, Spare Parts, Cylinder <sup>(3)</sup>	1		
	956A0061H34	Kit, Gasket Set <sup>(4)</sup>	1		
956A0061H44	Spring, Standard, .58 PSIG	1			
956A0061H54	Top w/o Spring <sup>(5)</sup>	1			
-21	950A0240H07	Valve, Angle, HW, 2 1/2" BW	2		
	950A0240H24	Kit, Spare Parts, Complete (less stem) <sup>(6)</sup>	1		
	950A0240H44	Kit, Cone Spare Parts <sup>(7)</sup>	1		
	950A0232H33	Kit, Packing Gland Assy. Spare Parts <sup>(8)</sup>	1		
	950A0232H53	Kit, Handwheel, Spare Parts <sup>(9)</sup>	1		
	950A0240H08	Valve, Angle, HW, 3" BW	2		
	950A0240H25	Kit, Spare Parts, Complete (less stem) <sup>(6)</sup>	1		
	950A0240H45	Kit, Cone Spare Parts <sup>(7)</sup>	1		
	950A0232H34	Kit, Packing Gland Assy. Spare Parts <sup>(8)</sup>	1		

FIG. & INDEX	PART NUMBER	DESCRIPTION	QTY.	REV.	P & I REF.
	950A0232H54	Kit, Handwheel, Spare Parts <sup>(9)</sup>	1		
	950A0240H09	Valve, Angle, HW, 4" BW	2		
	950A0240H26	Kit, Spare Parts, Complete (less stem) <sup>(6)</sup>	1		
	950A0240H46	Kit, Cone Spare Parts <sup>(7)</sup>	1		
	950A0232H34	Kit, Packing Gland Assy. Spare Parts <sup>(8)</sup>	1		
	950A0232H55	Kit, Handwheel, Spare Parts <sup>(9)</sup>	1		
-22	913A0131H12	Probe, Danfoss, 85"	1		
	913A0131H13	Probe, Danfoss, 105"	1		
	contact factory	Gasket, Danfoss Probe	1		
	contact factory	Electronic Head, Danfoss Probe	1		
-23	760M0018G01	Assembly, Valve, Safety, Dual, 250 PSIG (813 Vert., 3/4")	1		
	952A0051H08	Valve, Safety Relief, Shank 813	2		
	955B0005H01	Manifold, 3-Way, 1/2"	1		
	760M0018G02	Assembly, Valve, Safety, Dual, 250 PSIG (813 90°, 3/4")	1		
	952A0051H08	Valve, Safety Relief, Shank 813	2		
	955B0005H01	Manifold, 3-Way, 1/2"	1		
	760M0018G03	Assembly, Valve, Safety, Dual, 250 PSIG (814 Vert., 3/4")	1		
	952A0052H08	Valve, Safety Relief, Shank 814, 3/4" FPT x 1 1/4" FPT	2		
	955B0005H02	Manifold, 3-Way, 3/4"	1		
	760M0018G04	Assembly, Valve, Safety, Dual, 250 PSIG (814 90°, 3/4")	1		
	952A0052H08	Valve, Safety Relief, Shank 814, 3/4" FPT x 1 1/4" FPT	2		
	955B0005H02	Manifold, 3-Way, 3/4"	1		
	760M0018G05	Assembly, Valve, Safety, Dual, 250 PSIG (814 Vert., 1")	1		
	952A0052H08	Valve, Safety Relief, Shank 814, 3/4" FPT x 1 1/4" FPT	2		
	955B0005H02	Manifold, 3-Way, 3/4"	1		
	760M0018G05	Assembly, Valve, Safety, Dual, 250 PSIG (814 Vert., 1")	1		
	952A0052H08	Valve, Safety Relief, Shank 814, 3/4" FPT x 1 1/4" FPT	2		
	955B0005H02	Manifold, 3-Way, 3/4"	1		
	760M0018G06	Assembly, Valve, Safety, Dual, 250 PSIG (814 90°, 1")	1		
	952A0052H08	Valve, Safety Relief, Shank 814, 3/4" FPT x 1 1/4" FPT	2		
	955B0005H02	Manifold, 3-Way, 3/4"	1		
	760M0018G07	Assembly, Valve, Safety, Dual, 250 PSIG (815 Vert., 1")	1		
	952A0053H08	Valve, Safety Relief, Shank 815, 1" FPT x 1 1/2" FPT	2		
	955B0005H03	Manifold, 3-Way, 1"	1		
	760M0018G08	Assembly, Valve, Safety, Dual, 250 PSIG (815 90°, 1")	1		
	952A0053H08	Valve, Safety Relief, Shank 815, 1" FPT x 1 1/2" FPT	2		
	955B0005H03	Manifold, 3-Way, 1"	1		
	760M0018G09	Assembly, Valve, Safety, Dual, 250 PSIG (801 Vert., 3/4")	1		
	952A0060H08	Valve, Safety Relief, Shank 801, 1/2" MPT x 3/4" FPT	2		
	955B0005H01	Manifold, 3-Way, 1/2"	1		
	760M0018G10	Assembly, Valve, Safety, Dual, 250 PSIG (801 90°, 3/4")	1		
	952A0060H08	Valve, Safety Relief, Shank 801, 1/2" MPT x 3/4" FPT	2		
	955B0005H01	Manifold, 3-Way, 1/2"	1		
	760M0018G11	Assembly, Valve, Safety, Dual, 250 PSIG (812 Vert., 3/4")	1		
	952A0062H08	Valve, Safety Relief, Shank 812, 1/2" MPT x 1" MPT	2		
	955B0005H01	Manifold, 3-Way, 1/2"	1		
	760M0018G12	Assembly, Valve, Safety, Dual, 250 PSIG (812 90°, 3/4")	1		
	952A0062H08	Valve, Safety Relief, Shank 812, 1/2" MPT x 1" MPT	2		
	955B0005H01	Manifold, 3-Way, 1/2"	1		
-24	990A0011H02	Gauge, Pressure, 30" Vac - 400 PSIG	1		
-25	950A0240H09	Valve, Angle, HW, 4" BW	2		
	950A0240H26	Kit, Spare Parts, Complete (less stem) <sup>(6)</sup>	1		

VERTICAL & HORIZONTAL LIQUID RECIRCULATOR PACKAGES  
SERVICE PARTS LIST



FIG. & INDEX	PART NUMBER	DESCRIPTION	QTY.	REV.	P & I REF.
	950A0240H46	Kit, Cone Spare Parts <sup>(7)</sup>	1		
	950A0232H34	Kit, Packing Gland Assy. Spare Parts <sup>(8)</sup>	1		
	950A0232H55	Kit, Handwheel, Spare Parts <sup>(9)</sup>	1		
	950A0240H10	Valve, Angle, HW, 5" BW	2		
	950A0240H27	Kit, Spare Parts, Complete (less stem) <sup>(6)</sup>	1		
	950A0240H47	Kit, Cone Spare Parts <sup>(7)</sup>	1		
	950A0232H35	Kit, Packing Gland Assy. Spare Parts <sup>(8)</sup>	1		
	950A0232H56	Kit, Handwheel, Spare Parts <sup>(9)</sup>	1		
	950A0240H11	Valve, Angle, HW, 6" BW	2		
	950A0240H28	Kit, Spare Parts, Complete (less stem) <sup>(6)</sup>	1		
	950A0240H48	Kit, Cone Spare Parts <sup>(7)</sup>	1		
	950A0232H35	Kit, Packing Gland Assy. Spare Parts <sup>(8)</sup>	1		
	950A0232H56	Kit, Handwheel, Spare Parts <sup>(9)</sup>	1		
	950A0240H12	Valve, Angle, HW, 8" BW	2		
	950A0240H29	Kit, Spare Parts, Complete (less stem) <sup>(6)</sup>	1		
	950A0240H49	Kit, Cone Spare Parts <sup>(7)</sup>	1		
	950A0232H36	Kit, Packing Gland Assy. Spare Parts <sup>(8)</sup>	1		
	950A0232H57	Kit, Handwheel, Spare Parts <sup>(9)</sup>	1		
-26	954A0063H03	Valve, Angle, Hand Expansion, SC, 1" SW	2		
	954A0062H28	Kit, Spare Parts, Complete (less stem) <sup>(10)</sup>	1		
	954A0062H23	Kit, Bonnet and Cap <sup>(11)</sup>	1		
	954A0062H33	Kit, Packing Gland Assy. Spare Parts <sup>(12)</sup>	1		
	954A0062H38	Kit, Seal Cap and Gasket Spare Parts <sup>(13)</sup>	1		
	954A0063H04	Valve, Angle, Hand Expansion, SC, 1 1/4" SW	2		
	954A0062H29	Kit, Spare Parts, Complete (less stem) <sup>(10)</sup>	1		
	954A0062H24	Kit, Bonnet and Cap <sup>(11)</sup>	1		
	954A0062H34	Kit, Packing Gland Assy. Spare Parts <sup>(12)</sup>	1		
	954A0062H39	Kit, Seal Cap and Gasket Spare Parts <sup>(13)</sup>	1		
	954A0063H05	Valve, Angle, Hand Expansion, SC, 1 1/2" SW	2		
	954A0063H22	Kit, Spare Parts, Complete (less stem) <sup>(10)</sup>	1		
	954A0063H21	Kit, Bonnet and Cap <sup>(11)</sup>	1		
	954A0063H23	Kit, Packing Gland Assy. Spare Parts <sup>(12)</sup>	1		
	954A0063H24	Kit, Seal Cap and Gasket Spare Parts <sup>(13)</sup>	1		
	954A0075H01	Valve, Angle, Hand Expansion, SC, 2" BW	2		
	954A0075H23	Kit, Spare Parts, Complete (less stem) <sup>(10)</sup>	1		
	950A0233H53	Kit, Bonnet and Cap <sup>(11)</sup>	1		
	950A0232H33	Kit, Packing Gland Assy. Spare Parts <sup>(12)</sup>	1		
	950A0233H62	Kit, Seal Cap and Gasket Spare Parts <sup>(13)</sup>	1		
-27	950A0233H01	Valve, Angle, SC, 1/2" SW (Suction Drain)	2		
	950A0232H21	Repair Kit, Complete (less stem)	1		
	950A0232H41	Kit, Cone Spare Parts	1		
	950A0232H31	Kit, Packing Gland Assbly. Spare Parts	1		
	950A0233H51	Kit, Cap and Bonnet Spare Parts	1		
	950A0233H61	Kit, Seal Cap and Gasket Spare Parts	1		
-28	950A0233H03	Valve, Angle, SC, 1" SW (Cooling Line)	2		
	950A0232H22	Repair Kit, Complete (less stem)	1		
	950A0232H42	Kit, Cone Spare Parts	1		
	950A0232H32	Kit, Packing Gland Assbly. Spare Parts	1		
	950A0233H52	Kit, Cap and Bonnet Spare Parts	1		
	950A0233H62	Kit, Seal Cap and Gasket Spare Parts	1		
	950A0245H03	Valve, Globe, SC, 1" SW (Cooling Line)	2		
	950A0232H22	Repair Kit, Complete (less stem)	1		

FIG. & INDEX	PART NUMBER	DESCRIPTION	QTY.	REV.	P & I REF.
	950A0232H42	Kit, Cone Spare Parts	1		
	950A0232H32	Kit, Packing Gland Assbly. Spare Parts	1		
	950A0233H52	Kit, Cap and Bonnet Spare Parts	1		
	950A0233H62	Kit, Seal Cap and Gasket Spare Parts	1		
-29	952A0078H02	Regulator, Reseating Relief, 3/4" SW <sup>(14)</sup>	2		
	952A0078H21	Diaphragm / Gasket Replacement Kit	1		
-30	950A0292H03	Valve, Angle, Stop, Needle, SC 1/2" MPT x 1/2" MPT <sup>(14)</sup>	2		
<ol style="list-style-type: none"> <li>1. Liquid Bypass when Quantum Panel furnished</li> <li>2. Includes gasket for housing/bonnet and cone complete</li> <li>3. Includes gasket for housing/bonnet, cylinder, valve seat and O-ring for valve seat</li> <li>4. Includes gasket for housing/bonnet, cone complete and O-ring for valve seat</li> <li>5. Complete valve w/o housing</li> <li>6. Consists of Cone &amp; Cone Seal, Set Screw, Steel Balls, Packing Gland, Housing/Bonnet O-ring, Cap Gasket, Soft Backset.</li> <li>7. Consists of Cone Complete incl. Steel Balls &amp; Set Screw, O-ring for Housing/Bonnet.</li> <li>8. Consists of Packing Gland, O-rings, and Wear Ring.</li> <li>9. Consists of Handwheel (Handwheel Nut/Screw Kit numbers are: 3" &amp; 4" 950A0240H61/950A0240H64; 5" &amp; 6" 950A0240H62/950A0240H65; 8" 950A0240H63/950A0240H66</li> <li>10. Consists of Cone complete, Steel Balls, Allen Screw, Packing Gland, Housing/Bonnet O-ring, Cap Gasket, Distance Ring.</li> <li>11. Consists of O-ring for Housing/Bonnet, Cap Gasket.</li> <li>12. Consists of Packing Gland and O-rings.</li> <li>13. Consists of Cap and Gasket.</li> <li>14. When Item 29 (952A0078H02) is installed, Item 30 (950A0292H03) will not be installed on unit. When Item 30 (950A0292H03) is installed, Item 29 (952A0078H02) will not be installed on unit. item 29 is standard.</li> </ol>					

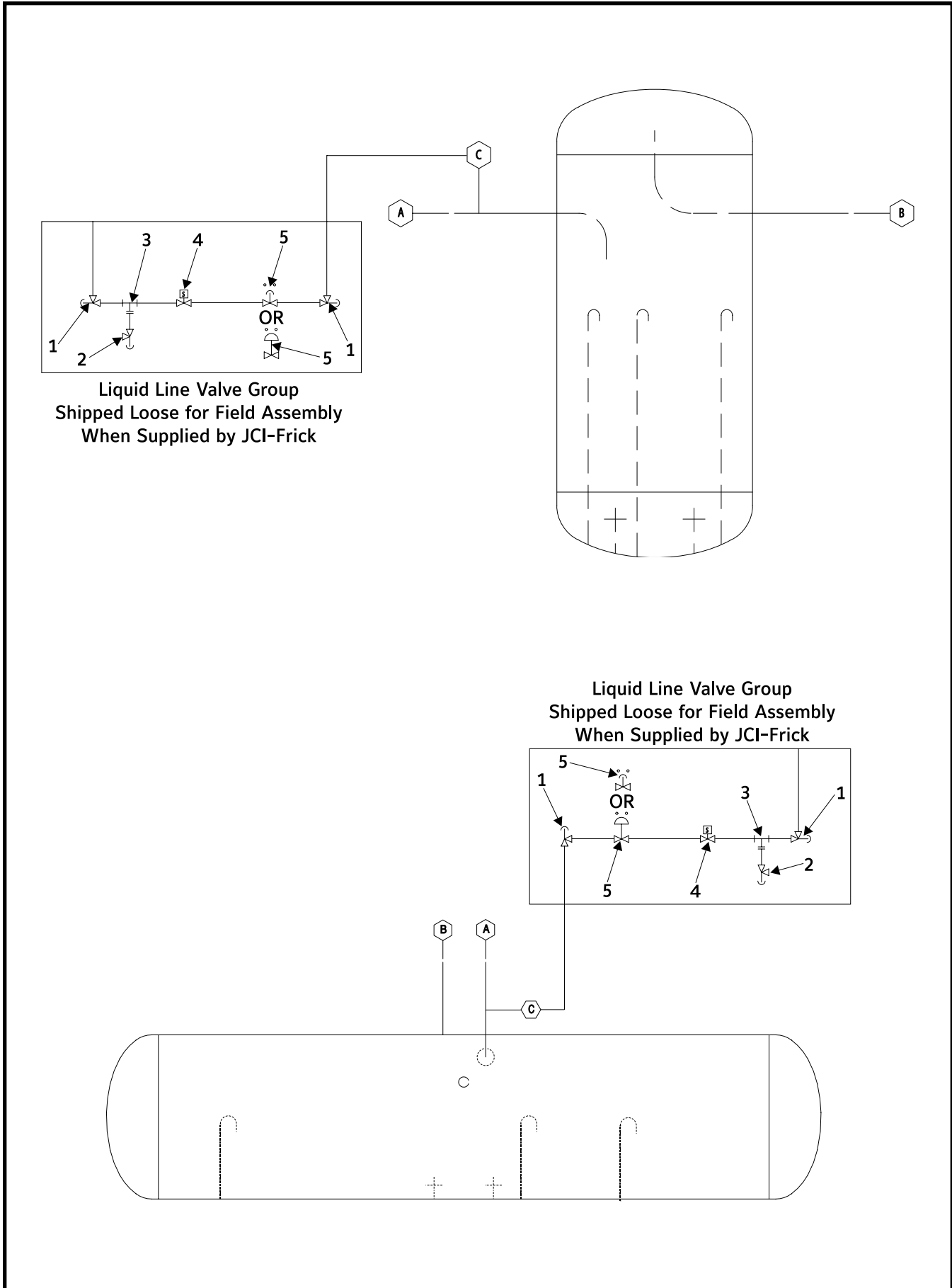


Figure 3. P & I, Liquid Feed Assembly, Cornell/Teikoku Pump, Typical (Optional).



FIG. & INDEX	PART NUMBER	DESCRIPTION	QTY.	REV.	P & I REF.
3-		P & I, Liquid Recirculator, Cornell/Teikoku Pump	Ref.		
-1	950A0233H04	Valve, Angle, SC, 1 1/4" SW	2		
	950A0232H22	Kit, Spare Parts, Complete (less stem) <sup>(4)</sup>	1		
	950A0232H42	Kit, Cone Spare Parts <sup>(5)</sup>	1		
	950A0232H32	Kit, Packing Gland Assembly Spare Parts <sup>(2)</sup>	1		
	950A0233H52	Kit, Cap and Bonnet Spare Parts <sup>(1)</sup>	1		
	950A0233H62	Kit, Seal Cap and Gasket Spare Parts <sup>(3)</sup>	1		
	950A0233H05	Valve, Angle, SC, 1 1/2" SW	2		
	950A0232H22	Kit, Spare Parts, Complete (less stem) <sup>(4)</sup>	1		
	950A0232H42	Kit, Cone Spare Parts <sup>(5)</sup>	1		
	950A0232H32	Kit, Packing Gland Assembly Spare Parts <sup>(2)</sup>	1		
	950A0233H52	Kit, Cap and Bonnet Spare Parts <sup>(1)</sup>	1		
	950A0233H62	Kit, Seal Cap and Gasket Spare Parts <sup>(3)</sup>	1		
	950A0233H06	Valve, Angle, SC, 2" SW	2		
	950A0232H23	Kit, Spare Parts, Complete (less stem) <sup>(4)</sup>	1		
	950A0232H43	Kit, Cone Spare Parts <sup>(5)</sup>	1		
	950A0232H33	Kit, Packing Gland Assembly Spare Parts <sup>(2)</sup>	1		
	950A0233H53	Kit, Cap and Bonnet Spare Parts <sup>(1)</sup>	1		
	950A0233H62	Kit, Seal Cap and Gasket Spare Parts <sup>(3)</sup>	1		
	950A0241H07	Valve, Angle, SC, 2 1/2" BW	2		
	950A0240H24	Kit, Spare Parts, Complete (less stem) <sup>(4)</sup>	1		
	950A0240H44	Kit, Cone Spare Parts <sup>(5)</sup>	1		
	950A0232H33	Kit, Packing Gland Assembly Spare Parts <sup>(2)</sup>	1		
	950A0241H54	Kit, Cap and Bonnet Spare Parts <sup>(1)</sup>	1		
	950A0233H62	Kit, Seal Cap and Gasket Spare Parts <sup>(3)</sup>	1		
	950A0241H08	Valve, Angle, SC, 3" BW	2		
	950A0240H25	Kit, Spare Parts, Complete (less stem) <sup>(4)</sup>	1		
	950A0240H45	Kit, Cone Spare Parts <sup>(5)</sup>	1		
	950A0232H34	Kit, Packing Gland Assembly Spare Parts <sup>(2)</sup>	1		
	950A0241H55	Kit, Cap and Bonnet Spare Parts <sup>(1)</sup>	1		
	950A0233H63	Kit, Seal Cap and Gasket Spare Parts <sup>(3)</sup>	1		
	950A0241H09	Valve, Angle, SC, 4" BW	2		
	950A0240H26	Kit, Spare Parts, Complete (less stem) <sup>(4)</sup>	1		
	950A0240H46	Kit, Cone Spare Parts <sup>(5)</sup>	1		
	950A0232H34	Kit, Packing Gland Assembly Spare Parts <sup>(2)</sup>	1		
	950A0241H56	Kit, Cap and Bonnet Spare Parts <sup>(1)</sup>	1		
	950A0233H63	Kit, Seal Cap and Gasket Spare Parts <sup>(3)</sup>	1		
	950A0241H10	Valve, Angle, SC, 5" BW	2		
	950A0240H27	Kit, Spare Parts, Complete (less stem) <sup>(4)</sup>	1		
	950A0240H47	Kit, Cone Spare Parts <sup>(5)</sup>	1		
	950A0232H35	Kit, Packing Gland Assembly Spare Parts <sup>(2)</sup>	1		
	950A0241H57	Kit, Cap and Bonnet Spare Parts <sup>(1)</sup>	1		
	950A0233H64	Kit, Seal Cap and Gasket Spare Parts <sup>(3)</sup>	1		
	950A0241H11	Valve, Angle, SC, 6" BW	2		
	950A0240H28	Kit, Spare Parts, Complete (less stem) <sup>(4)</sup>	1		
	950A0240H48	Kit, Cone Spare Parts <sup>(5)</sup>	1		
	950A0232H35	Kit, Packing Gland Assembly Spare Parts <sup>(2)</sup>	1		
	950A0241H58	Kit, Cap and Bonnet Spare Parts <sup>(1)</sup>	1		
	950A0233H64	Kit, Seal Cap and Gasket Spare Parts <sup>(3)</sup>	1		
-2	950A0292H01	Valve, Angle, Stop, Needle, SC 1/4" MPT x 1/4" FPT	1		
-3	950A0328H04	Strainer, 1 1/4" SW	1		
	950A0320H14	Kit, Strainer and Gasket	1		

FIG. & INDEX	PART NUMBER	DESCRIPTION	QTY.	REV.	P & I REF.
	950A0328H05	Strainer, 1 1/2" SW	1		
	950A0320H15	Kit, Strainer and Gasket	1		
	950A0328H06	Strainer, 2" SW	1		
	950A0320H16	Kit, Strainer and Gasket	1		
	950A0330H01	Strainer, 2 1/2" BW	1		
	950A0329H11	Kit, Strainer and Gasket	1		
	950A0330H02	Strainer, 3" BW	1		
	950A0329H12	Kit, Strainer and Gasket	1		
	950A0330H03	Strainer, 4" BW	1		
	950A0329H13	Kit, Strainer and Gasket	1		
	950A0330H04	Strainer, 5" BW	1		
	950A0329H14	Kit, Strainer and Gasket	1		
	950A0330H05	Strainer, 6" BW	1		
	950A0329H15	Kit, Strainer and Gasket	1		
-4	951A0116H01	Valve, Solenoid, Danfoss ICS 25-20, 1 Pilot, 1" SW	1		
	951A0116H02	Valve, Solenoid, Danfoss ICS 25-25, 1 Pilot, 1" SW	1		
	950A0293H06	Coil, 208-204 Volt, 50/60 Hertz	1		
	950A0293H07	Coil, 110-120 Volt, 50/60 Hertz	1		
	951A0116H11	ICS 25-20 Function Module, Gasket, O-rings	1		
	951A0116H12	ICS 25-25 Function Module, Gasket, O-rings	1		
	951A0116H13	ICS 25 Top Cover, 1 Pilot, incl. bolts	1		
	951A0116H14	ICS 25 Spare Parts Service Kit	1		
	951A0116H15	ICS 25 Blank Top Cover, incl. bolts and gasket	1		
	951A0116H16	EVM, NC	1		
	951A0117H01	Valve, Solenoid, Danfoss ICS 32, 1 Pilot, 1 1/4" SW	1		
	950A0293H06	Coil, 208-204 Volt, 50/60 Hertz	1		
	950A0293H07	Coil, 110-120 Volt, 50/60 Hertz	1		
	951A0117H11	ICS 32 Function Module, Gasket, O-rings	1		
	951A0117H12	ICS 32 Top Cover, 1 Pilot, incl. bolts	1		
	951A0117H13	ICS 32 Spare Parts Service Kit	1		
	951A0117H14	ICS 32 Blank Top Cover, incl. bolts and gasket	1		
	951A0116H16	EVM, NC	1		
	951A0118H01	Valve, Solenoid, Danfoss ICS 40, 1 Pilot, 1 1/2" SW	1		
	950A0293H06	Coil, 208-204 Volt, 50/60 Hertz	1		
	950A0293H07	Coil, 110-120 Volt, 50/60 Hertz	1		
	951A0118H11	ICS 40 Function Module, Gaske, O-rings	1		
	951A0118H12	ICS 40 Top Cover, 1 Pilot, incl. bolts	1		
	951A0118H13	ICS 40 Spare Parts Service Kit	1		
	951A0118H14	ICS 40 Blank Top Cover, incl. bolts and gasket	1		
	951A0116H16	EVM, NC	1		
	951A0119H01	Valve, Solenoid, Danfoss ICS 50, 1 Pilot, 2" SW	1		
	950A0293H06	Coil, 208-204 Volt, 50/60 Hertz	1		
	950A0293H07	Coil, 110-120 Volt, 50/60 Hertz	1		
	951A0119H11	ICS 50 Function Module, incl. Gasket and O-rings	1		
	951A0199H12	ICS 50 Top Cover, 1 Pilot, incl. bolts	1		
	951A0119H13	ICS 50 Spare Parts Service Kit	1		
	951A0119H14	ICS 50 Blank Top Cover, incl. Bolts and Gasket	1		
	951A0116H16	EVM, NC	1		
	951A0120H01	Valve, Solenoid, Danfoss ICS 65, 1 Pilot, 2 1/2" SW	1		
	950A0293H06	Coil, 208-204 Volt, 50/60 Hertz	1		
	950A0293H07	Coil, 110-120 Volt, 50/60 Hertz	1		
	951A0120H11	ICS 65 Function Module, incl. Gasket and O-rings	1		
	951A0120H12	ICS 65 Top Cover, 1 Pilot, incl. bolts	1		
	951A0120H13	ICS 65 Spare Parts Service Kit	1		

FIG. & INDEX	PART NUMBER	DESCRIPTION	QTY.	REV.	P & I REF.
-5	951A0120H14	ICS 65 Blank Top Cover, incl. Bolts and Gasket	1		
	951A0116H16	EVM, NC	1		
	954A0076H04	Valve, Globe, Hand Expansion, SC, 1 1/4" SW	1		
	950A0233H52	Kit, Repair, Bonnet and Cap <sup>(1)</sup>	1		
	950A0232H32	Kit, Repair, Packing Gland <sup>(2)</sup>	1		
	950A0233H62	Kit, Repair, Cap and Gasket <sup>(3)</sup>	1		
	954A0076H27	Kit, Repair, Complete (less stem) <sup>(4)</sup>	1		
	954A0076H05	Valve, Globe, Hand Expansion, SC, 1 1/2" SW	1		
	950A0233H52	Kit, Repair, Bonnet and Cap <sup>(1)</sup>	1		
	950A0232H32	Kit, Repair, Packing Gland <sup>(2)</sup>	1		
	950A0233H62	Kit, Repair, Cap and Gasket <sup>(3)</sup>	1		
	954A0076H26	Kit, Repair, Complete (less stem) <sup>(4)</sup>	1		
	954A0076H06	Valve, Globe, Hand Expansion, SC, 1 1/2" SW	1		
	950A0233H52	Kit, Repair, Bonnet and Cap <sup>(1)</sup>	1		
	950A0232H32	Kit, Repair, Packing Gland <sup>(2)</sup>	1		
	950A0233H62	Kit, Repair, Cap and Gasket <sup>(3)</sup>	1		
	954A0062H27	Kit, Repair, Complete (less stem) <sup>(4)</sup>	1		
	954A0076H07	Valve, Globe, Hand Expansion, SC, 2" SW	1		
	950A0233H53	Kit, Repair, Bonnet and Cap <sup>(1)</sup>	1		
	950A0232H33	Kit, Repair, Packing Gland <sup>(2)</sup>	1		
	950A0233H62	Kit, Repair, Cap and Gasket <sup>(3)</sup>	1		
	954A0076H28	Kit, Repair, Complete (less stem) <sup>(4)</sup>	1		
	954A0077H01	Valve, Globe, Hand Expansion, SC, 2 1/2" BW	1		
	950A0241H54	Kit, Repair, Bonnet and Cap <sup>(1)</sup>	1		
	950A0232H33	Kit, Repair, Packing Gland <sup>(2)</sup>	1		
	950A0233H62	Kit, Repair, Cap and Gasket <sup>(3)</sup>	1		
	954A0077H24	Kit, Repair, Complete (less stem) <sup>(4)</sup>	1		
	954A0070H03	Valve, Motorized Expansion, ICM 20C, 3/4" SW	1		
	954A0070H13	Valve only	1		
	954A0070H16	Top Cover/Function Module	1		
	954A0070H17	Kit, Disassembly	1		
	954A0070H18	Tool	1		
	954A0070H19	Actuator (Motor) only	1		
	954A0071H01	Valve, Motorized Expansion, ICM 25A, 1" SW	1		
	954A0071H11	Valve only	1		
	954A0070H12	Top Cover/Function Module	1		
	954A0070H13	Kit, Disassembly	1		
	954A0070H18	Tool	1		
	954A0070H19	Actuator (Motor) only	1		
	954A0072H01	Valve, Motorized Expansion, ICM 32A, 1 1/4" SW	1		
	954A0072H11	Valve only	1		
	954A0072H12	Top Cover/Function Module	1		
	954A0072H13	Kit, Disassembly	1		
	954A0070H18	Tool	1		
	954A0070H19	Actuator (Motor) only	1		
	954A0074H01	Valve, Motorized Expansion, ICM 40A, 1 1/2" SW	1		
	954A0074H11	Valve only	1		
	954A0074H12	Top Cover/Function Module	1		
	954A0074H15	Kit, Disassembly	1		
	954A0074H16	Tool	1		
	954A0074H17	Actuator (Motor) only	1		
	954A0074H02	Valve, Motorized Expansion, ICM 50A, 2" SW	1		
954A0074H13	Valve only	1			

VERTICAL & HORIZONTAL LIQUID RECIRCULATOR PACKAGES  
SERVICE PARTS LIST



FIG. & INDEX	PART NUMBER	DESCRIPTION	QTY.	REV.	P & I REF.
	954A0074H14	Top Cover/Function Module	1		
	954A0074H18	Kit, Disassembly	1		
	954A0074H16	Tool	1		
	954A0074H17	Actuator (Motor) only	1		
<p>1. Includes O-ring for Housing/Bonnet, Gasket for Cap                  2. Includes Packing Gland/Gaskets with O-rings                  3. Includes Cap and Gasket                  4. Cone complete incl. Steel Balls &amp; Allen Screw, Gaskets/Packing Gland, Housing/Bonnet O-ring, Cap Gasket, Distance Ring, Allen Key                  5. Consists of Cone Complete incl. Steel Balls &amp; Set Screw, O-ring for Housing/Bonnet.</p>					

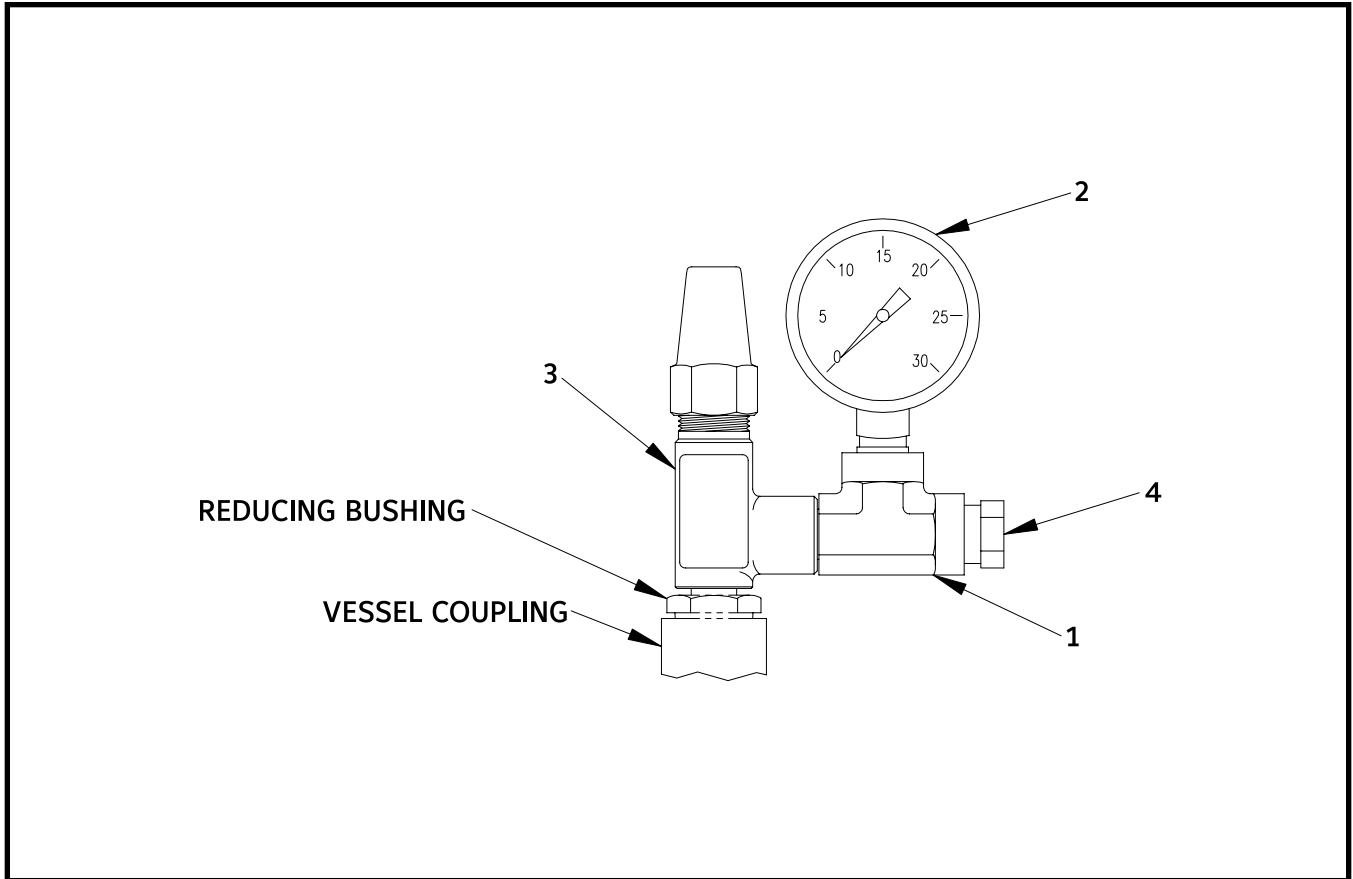


Figure 4. Evacuation and Charge Kit.

FIG. & INDEX	PART NUMBER	DESCRIPTION	QTY.	REV.	P & I REF.
4-	540A0194	Evacuation and Charge Kit	Ref.	C	
-1	944A0197H02	Tee, Male Run, 1/4 NPT	1		
-2	990A0045H01	Gauge, Pressure	1		
-3	950A0292H01	Valve, Angle, 1/4" NPT	1		
-4	944A0011H01	Plug, Pipe, 1/4" Hex Head	1		
<p>After charging, close valve and install pipe plug. Then reopen valve to provide pressure gauge indication. Gauge and tee are to be removed after installation in customers facility. Close valve before removing gauge and tee.</p>					

VERTICAL & HORIZONTAL LIQUID RECIRCULATOR PACKAGES  
NUMERICAL PARTS LIST



PART NUMBER	FIG. & INDEX NO.	PART NUMBER	FIG. & INDEX NO.	PART NUMBER	FIG. & INDEX NO.
531A0042H01	1-18	913A0120H01	2-2	950A0232H33	1-20
531A0042H01	2-19	913A0120H10	1-2	950A0232H33	1-26
540E0065G02	1-4	913A0120H10	2-2	950A0232H33	1-26
540E0068G02	1-4	913A0131H07	1-22	950A0232H33	2-7
540E0068G02	2-4	913A0131H08	1-22	950A0232H33	2-21
540E0069G02	1-4	913A0131H09	1-22	950A0232H33	2-26
540E0069G02	2-4	913A0131H11	1-22	950A0232H33	3-1
569A0259H03	1-8	913A0131H12	1-22	950A0232H33	3-1
569A0259H03	2-8	913A0131H12	2-22	950A0232H33	3-5
569A0259H04	1-8	913A0131H13	1-22	950A0232H33	3-5
569A0259H04	2-8	913A0131H13	2-22	950A0232H34	1-20
569A0259H05	1-8	913A0146H02	1-18	950A0232H34	1-20
569A0259H05	2-8	913A0146H02	2-19	950A0232H34	1-25
569A0259H06	1-8	944A0011H01	4-4	950A0232H34	2-21
569A0259H06	2-8	944A0197H02	4-1	950A0232H34	2-21
649A0890H02	1-18	944A0443H04	1-3	950A0232H34	2-25
649A0890H02	2-19	944A0443H04	2-3	950A0232H34	3-1
649A0890H11	1-18	944A0443H21	1-3	950A0232H34	3-1
649A0890H11	2-19	944A0443H21	2-3	950A0232H35	1-25
760B0001G01	1-9	944A0443H22	1-3	950A0232H35	1-25
760B0001G01	2-9	944A0443H21	2-3	950A0232H35	2-25
760B0002G01	1-9	950A0232H21	1-5	950A0232H35	2-25
760B0002G01	2-9	950A0232H21	1-6	950A0232H35	3-1
760M0018G01	1-23	950A0232H21	1-10	950A0232H35	3-1
760M0018G01	2-23	950A0232H21	2-5	950A0232H36	1-25
760M0018G02	1-23	950A0232H21	2-6	950A0232H36	2-25
760M0018G02	2-23	950A0232H21	2-10	950A0232H41	1-5
760M0018G03	1-23	950A0232H21	2-27	950A0232H41	1-6
760M0018G03	2-23	950A0232H22	1-9	950A0232H41	1-10
760M0018G04	1-23	950A0232H22	1-9	950A0232H41	2-5
760M0018G04	2-23	950A0232H22	2-9	950A0232H41	2-6
760M0018G05	1-23	950A0232H22	2-9	950A0232H41	2-10
760M0018G05	1-23	950A0232H22	2-28	950A0232H41	2-27
760M0018G05	2-23	950A0232H22	2-28	950A0232H42	1-9
760M0018G05	2-23	950A0232H22	3-1	950A0232H42	1-9
760M0018G06	1-23	950A0232H22	3-1	950A0232H42	2-9
760M0018G06	2-23	950A0232H23	1-7	950A0232H42	2-9
760M0018G07	1-23	950A0232H23	2-7	950A0232H42	2-28
760M0018G07	2-23	950A0232H23	3-1	950A0232H42	2-28
760M0018G08	1-23	950A0232H31	1-5	950A0232H42	3-1
760M0018G08	2-23	950A0232H31	1-6	950A0232H42	3-1
760M0018G09	1-23	950A0232H31	1-10	950A0232H43	1-7
760M0018G09	2-23	950A0232H31	2-5	950A0232H43	2-7
760M0018G10	1-23	950A0232H31	2-6	950A0232H43	3-1
760M0018G10	2-23	950A0232H31	2-10	950A0232H52	1-9
760M0018G11	1-23	950A0232H31	2-27	950A0232H52	1-9
760M0018G11	2-23	950A0232H32	1-9	950A0232H52	2-9
760M0018G12	1-23	950A0232H32	1-9	950A0232H52	2-9
760M0018G12	2-23	950A0232H32	2-9	950A0232H53	1-20
901A0097H08	1-9	950A0232H32	2-9	950A0232H53	2-21
901A0097H08	2-9	950A0232H32	2-28	950A0232H54	1-20
901A0099H01	1-9	950A0232H32	2-28	950A0232H54	2-21
901A0099H01	2-9	950A0232H32	3-1	950A0232H55	1-20
902A0021H01	1-9	950A0232H32	3-1	950A0232H55	1-25
902A0021H01	2-9	950A0232H32	3-5	950A0232H55	2-21
902A0021H02	1-9	950A0232H32	3-5	950A0232H55	2-25
902A0021H02	2-9	950A0232H32	3-5	950A0232H56	1-25
913A0120H01	1-2	950A0232H33	1-7	950A0232H56	1-25

PART NUMBER	FIG. & INDEX NO.	PART NUMBER	FIG. & INDEX NO.	PART NUMBER	FIG. & INDEX NO.
950A0232H56	2-25	950A0233H64	3-1	950A0241H54	3-1
950A0232H56	2-25	950A0240H07	1-20	950A0241H54	3-5
950A0232H57	1-25	950A0240H07	2-21	950A0241H55	3-1
950A0232H57	2-25	950A0240H08	1-20	950A0241H56	3-1
950A0233H01	2-27	950A0240H08	2-21	950A0241H57	3-1
950A0233H02	1-5	950A0240H09	1-20	950A0241H58	3-1
950A0233H02	2-5	950A0240H09	1-25	950A0244H05	1-9
950A0233H03	2-28	950A0240H09	2-21	950A0244H05	2-9
950A0233H04	3-1	950A0240H09	2-25	950A0245H02	1-6
950A0233H05	3-1	950A0240H10	1-25	950A0245H02	2-6
950A0233H06	3-1	950A0240H10	2-25	950A0245H03	2-28
950A0233H51	1-5	950A0240H11	1-25	950A0245H05	1-9
950A0233H51	1-6	950A0240H11	2-25	950A0245H05	2-9
950A0233H51	1-10	950A0240H12	1-25	950A0245H06	1-7
950A0233H51	2-5	950A0240H12	2-25	950A0245H06	2-7
950A0233H51	2-6	950A0240H24	1-20	950A0249H02	1-10
950A0233H51	2-10	950A0240H24	2-21	950A0249H02	2-10
950A0233H51	2-27	950A0240H24	3-1	950A0292H01	1-17
950A0233H52	2-28	950A0240H25	1-20	950A0292H01	2-18
950A0233H52	2-28	950A0240H25	2-21	950A0292H01	3-2
950A0233H52	3-1	950A0240H25	3-1	950A0292H01	4-3
950A0233H52	3-1	950A0240H26	1-20	950A0292H03	1-27
950A0233H52	3-5	950A0240H26	1-25	950A0293H06	1-15
950A0233H52	3-5	950A0240H26	2-21	950A0293H06	1-16
950A0233H52	3-5	950A0240H26	2-25	950A0293H06	2-16
950A0233H53	1-7	950A0240H26	3-1	950A0293H06	2-17
950A0233H53	1-26	950A0240H27	1-25	950A0293H06	3-4
950A0233H53	2-7	950A0240H27	2-25	950A0293H06	3-4
950A0233H53	2-26	950A0240H27	3-1	950A0293H06	3-4
950A0233H53	3-1	950A0240H28	1-25	950A0293H06	3-4
950A0233H53	3-5	950A0240H28	2-25	950A0293H06	3-4
950A0233H54	1-26	950A0240H28	3-1	950A0293H07	1-15
950A0233H61	1-5	950A0240H29	1-25	950A0293H07	1-16
950A0233H61	1-6	950A0240H29	2-25	950A0293H07	2-16
950A0233H61	1-10	950A0240H44	1-20	950A0293H07	2-17
950A0233H61	2-5	950A0240H44	2-21	950A0293H07	3-4
950A0233H61	2-6	950A0240H44	3-1	950A0293H07	3-4
950A0233H61	2-10	950A0240H45	1-20	950A0293H07	3-4
950A0233H61	2-27	950A0240H45	2-21	950A0293H07	3-4
950A0233H62	1-7	950A0240H45	3-1	950A0293H07	3-4
950A0233H62	1-26	950A0240H46	1-20	950A0320H14	3-3
950A0233H62	1-26	950A0240H46	1-25	950A0320H15	3-3
950A0233H62	2-7	950A0240H46	2-21	950A0320H16	3-3
950A0233H62	2-26	950A0240H46	2-25	950A0328H04	3-3
950A0233H62	2-28	950A0240H46	3-1	950A0328H05	3-3
950A0233H62	2-28	950A0240H47	1-25	950A0328H06	3-3
950A0233H62	3-1	950A0240H47	2-25	950A0329H11	3-3
950A0233H62	3-1	950A0240H47	3-1	950A0329H12	3-3
950A0233H62	3-1	950A0240H48	1-25	950A0329H13	3-3
950A0233H62	3-1	950A0240H48	2-25	950A0329H14	3-3
950A0233H62	3-5	950A0240H48	3-1	950A0329H15	3-3
950A0233H62	3-5	950A0240H49	1-25	950A0330H01	3-3
950A0233H62	3-5	950A0240H49	2-25	950A0330H02	3-3
950A0233H62	3-5	950A0241H07	3-1	950A0330H03	3-3
950A0233H62	3-5	950A0241H08	3-1	950A0330H04	3-3
950A0233H63	3-1	950A0241H09	3-1	950A0330H05	3-3
950A0233H63	3-1	950A0241H10	3-1	951A0116H01	1-15
950A0233H64	3-1	950A0241H11	3-1	951A0116H01	2-16

VERTICAL & HORIZONTAL LIQUID RECIRCULATOR PACKAGES  
NUMERICAL PARTS LIST



PART NUMBER	FIG. & INDEX NO.	PART NUMBER	FIG. & INDEX NO.	PART NUMBER	FIG. & INDEX NO.
951A0116H01	3-4	952A0051H08	1-23	954A0063H22	2-26
951A0116H02	1-15	952A0051H08	1-23	954A0063H23	1-26
951A0116H02	2-16	952A0051H08	2-23	954A0063H23	2-26
951A0116H02	3-4	952A0051H08	2-23	954A0063H24	1-26
951A0116H11	1-15	952A0052H08	1-23	954A0063H24	2-26
951A0116H11	2-16	952A0052H08	1-23	954A0070H03	3-5
951A0116H11	3-4	952A0052H08	1-23	954A0070H12	3-5
951A0116H12	1-15	952A0052H08	1-23	954A0070H13	3-5
951A0116H12	2-16	952A0052H08	1-23	954A0070H13	3-5
951A0116H12	3-4	952A0052H08	2-23	954A0070H16	3-5
951A0116H13	1-15	952A0052H08	2-23	954A0070H17	3-5
951A0116H13	2-16	952A0052H08	2-23	954A0070H18	3-5
951A0116H13	3-4	952A0052H08	2-23	954A0070H18	3-5
951A0116H14	1-15	952A0052H08	2-23	954A0070H18	3-5
951A0116H14	2-16	952A0053H08	1-23	954A0070H19	3-5
951A0116H14	3-4	952A0053H08	1-23	954A0070H19	3-5
951A0116H15	1-15	952A0053H08	2-23	954A0070H19	3-5
951A0116H15	2-16	952A0053H08	2-23	954A0071H01	3-5
951A0116H15	3-4	952A0059H08	1-13	954A0071H11	3-5
951A0116H16	1-15	952A0059H08	2-14	954A0072H01	3-5
951A0116H16	1-16	952A0060H08	1-23	954A0072H11	3-5
951A0116H16	2-16	952A0060H08	1-23	954A0072H12	3-5
951A0116H16	2-17	952A0060H08	2-23	954A0072H13	3-5
951A0116H16	3-4	952A0060H08	2-23	954A0074H01	3-5
951A0116H16	3-4	952A0062H08	1-23	954A0074H02	3-5
951A0116H16	3-4	952A0062H08	1-23	954A0074H11	3-5
951A0116H16	3-4	952A0062H08	2-23	954A0074H12	3-5
951A0116H16	3-4	952A0062H08	2-23	954A0074H13	3-5
951A0117H01	1-16	952A0062H08	2-23	954A0074H13	3-5
951A0117H01	2-17	952A0078H02	1-28	954A0074H14	3-5
951A0117H01	3-4	952A0078H02	2-29	954A0074H15	3-5
951A0117H11	1-16	952A0078H21	1-28	954A0074H16	3-5
951A0117H11	2-17	952A0078H21	2-29	954A0074H16	3-5
951A0117H11	3-4	954A0062H23	1-26	954A0074H17	3-5
951A0117H12	1-16	954A0062H23	2-26	954A0074H17	3-5
951A0117H12	2-17	954A0062H24	1-26	954A0074H18	3-5
951A0117H12	3-4	954A0062H24	2-26	954A0075H01	1-26
951A0117H13	1-16	954A0062H27	3-5	954A0075H01	2-26
951A0117H13	2-17	954A0062H28	1-26	954A0075H02	1-26
951A0117H13	3-4	954A0062H28	2-26	954A0075H23	1-26
951A0117H14	1-16	954A0062H29	1-26	954A0075H23	2-26
951A0117H14	2-17	954A0062H33	2-26	954A0075H24	1-26
951A0117H14	3-4	954A0062H33	1-26	954A0076H04	3-5
951A0118H01	3-4	954A0062H33	2-26	954A0076H05	3-5
951A0118H11	3-4	954A0062H34	1-26	954A0076H06	3-5
951A0118H12	3-4	954A0062H34	2-26	954A0076H07	3-5
951A0118H13	3-4	954A0062H38	1-26	954A0076H26	3-5
951A0118H14	3-4	954A0062H38	2-26	954A0076H27	3-5
951A0119H01	3-4	954A0062H39	1-26	954A0076H28	3-5
951A0119H11	3-4	954A0062H39	2-26	954A0077H01	3-5
951A0119H13	3-4	954A0063H03	1-26	954A0077H24	3-5
951A0119H14	3-4	954A0063H03	2-26	955B0005H01	1-23
951A0120H01	3-4	954A0063H04	1-26	955B0005H01	1-23
951A0120H11	3-4	954A0063H05	2-26	955B0005H01	1-23
951A0120H12	3-4	954A0063H05	1-26	955B0005H01	1-23
951A0120H13	3-4	954A0063H05	2-26	955B0005H01	1-23
951A0120H14	3-4	954A0063H21	1-26	955B0005H01	1-23
951A0199H12	3-4	954A0063H21	2-26	955B0005H01	2-23
		954A0063H22	1-26	955B0005H01	2-23



PART NUMBER	FIG. & INDEX NO.	PART NUMBER	FIG. & INDEX NO.	PART NUMBER	FIG. & INDEX NO.
955B0005H01	2-23	959A0054H05	1-11		
955B0005H01	2-23	959A0054H05	2-9		
955B0005H01	2-23	959A0054H06	1-11		
955B0005H01	2-23	959A0054H07	1-11		
955B0005H02	1-23	959A0054H08	1-11		
955B0005H02	1-23	959A0054H10	1-8		
955B0005H02	1-23	959A0054H10	1-12		
955B0005H02	1-23	959A0054H10	2-8		
955B0005H02	1-23	959A0054H11	1-8		
955B0005H02	2-23	959A0054H11	1-12		
955B0005H02	2-23	959A0054H11	2-8		
955B0005H02	2-23	959A0054H12	1-8		
955B0005H02	2-23	959A0054H12	1-12		
955B0005H02	2-23	959A0054H12	2-8		
955B0005H03	1-23	959A0054H13	1-8		
955B0005H03	1-23	959A0054H13	2-8		
955B0005H03	2-23	959A0054H21	2-13		
955B0005H03	2-23	959A0054H22	2-13		
956A0061H02	1-19	959A0054H23	2-13		
956A0061H02	2-20	959A0054H25	1-9		
956A0061H03	1-19	959A0054H25	2-9		
956A0061H03	2-20	959A0054H25	2-11		
956A0061H04	1-19	959A0054H26	2-11		
956A0061H04	2-20	959A0054H26	2-12		
956A0061H12	1-19	959A0054H27	2-11		
956A0061H12	2-20	959A0054H27	2-12		
956A0061H13	1-19	959A0054H28	2-11		
956A0061H13	2-20	959A0054H28	2-12		
956A0061H14	1-19	959A0054H30	2-11		
956A0061H14	2-20	959A0054H30	2-12		
956A0061H22	1-19	959A0054H31	2-12		
956A0061H22	2-20	960A0087H11	1-1		
956A0061H23	1-19	960A0087H12	1-1		
956A0061H23	2-20	960A0087H12	1-1		
956A0061H24	1-19	960A0087H12	1-1		
956A0061H24	2-20	960A0087H13	1-1		
956A0061H32	1-19	960A0087H14	1-1		
956A0061H32	2-20	960A0087H14	1-1		
956A0061H33	1-19	990A0011H02	1-24		
956A0061H33	2-20	990A0011H02	2-24		
956A0061H34	1-19	990A0045H01	4-2		
956A0061H34	2-20	990A0093H01	1-1		
956A0061H42	1-19	990A0093H01	2-1		
956A0061H42	2-20				
956A0061H43	1-19				
956A0061H43	2-20				
956A0061H44	1-19				
956A0061H44	2-20				
956A0061H52	1-19				
956A0061H52	2-20				
956A0061H53	1-19				
956A0061H53	2-20				
956A0061H54	1-19				
956A0061H54	2-20				
957A0007H01	1-14				
957A0007H01	2-15				
959A0054H02	1-21				
959A0054H05	1-9				

NOTES

NOTES

**Form 120.200-SPL (2011-08)**  
Supersedes: 120.200-SPL (2011-04)  
Subject to change without notice  
Published in USA - GUI

© 2011 Johnson Controls Inc. - ALL RIGHTS RESERVED



JOHNSON CONTROLS  
100 CV Avenue  
Waynesboro, PA USA 17268-1206  
Phone: 717-762-2121 • FAX: 717-762-8624  
[www.johnsoncontrols.com/frick](http://www.johnsoncontrols.com/frick)