



Sanitary Air Distribution

AcuAir Supply Air Diffusers Provide A Sanitary Way to Distribute Air In Your Food Process Space for Maximum Efficiency and Condensation Control

Stainless Steel Material

The supply air diffusers are constructed of 304 stainless steel. With fully welded drain pans, AcuAir sanitary diffusers provide a level of hygienic quality similar to that required of other components in the processing area.

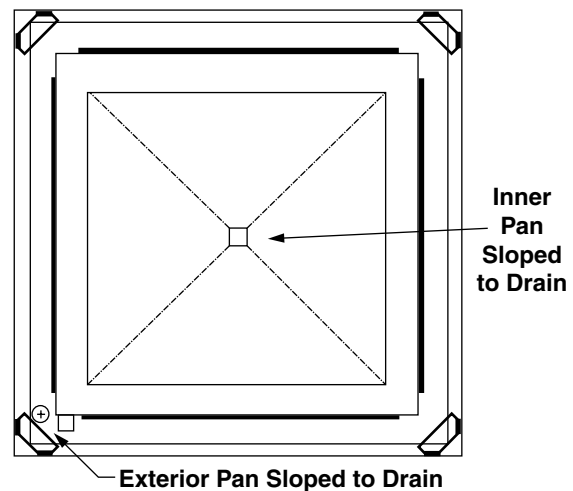


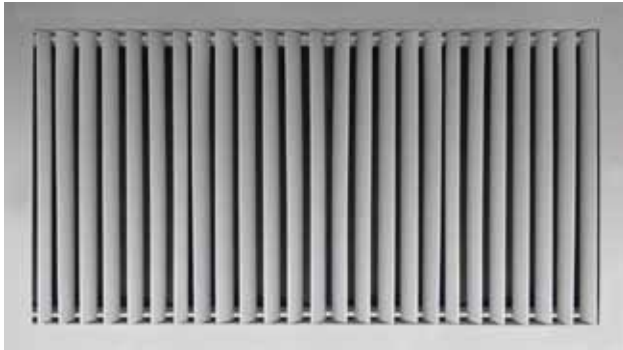
Insulated and Heated Drain Pan

The oversized drain pan has fully welded inner and outer stainless steel surfaces. Insulation between the inner and outer surfaces, along with electric heat tracing, prevents condensation from forming on the outside surface of the diffuser drain pan.

Drain Pan Water Outlets

The AcuAir supply air diffuser is designed with two moisture capturing pans. Inside the diffuser, the inner pan slopes to a recessed outlet. The oversized outer drain pan extends horizontally beyond the face of the directional louvers. The outer pan has a separate drip capturing channel with a dedicated drain outlet.



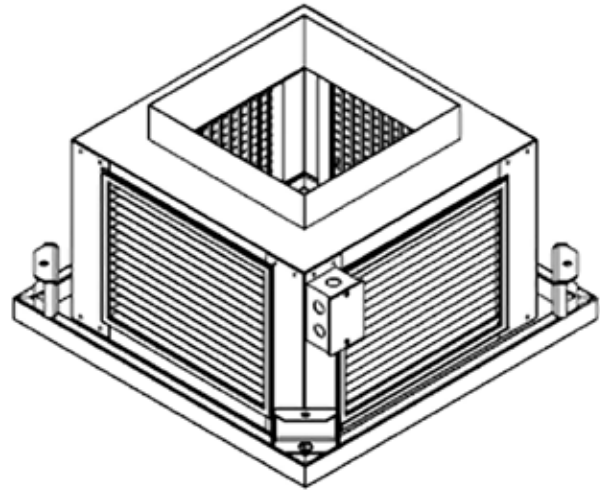


Directional Discharge Louvers

The AcuAir supply air diffuser can be supplied with either fixed or adjustable discharge louvers. The louvers provide directional throw to uniformly distribute air across critical surfaces within the process room. Aluminum louvers are standard and stainless steel louvers are available.

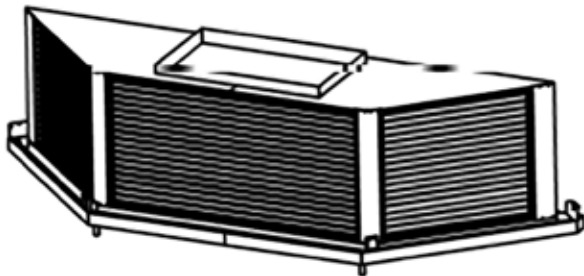
Four-Sided Design

The AcuAir standard four-sided diffuser can minimize the number of penetrations into the processing area. The four-sided diffuser is designed to distribute air at a velocity which will sweep ceilings and fixtures, preventing the formation of condensation. And this is accomplished at a low air flow pressure drop!



Alternate Three-Sided Design

Other diffuser configurations are available. A two-way or three-way design (shown) allows the AcuAir diffuser to be placed adjacent to a wall and still obtain an air sweep of the ceilings and fixtures within the processing area at the desired air velocity and at an acceptable air pressure loss.



AcuAir can provide similar designs for return air plenum boxes

Form 210.200-ADV03 (2011-09)

Supersedes: NOTHING

Subject to change without notice

Printed in USA • PDF

© 2011 Johnson Controls, Inc. ALL RIGHTS RESERVED



JOHNSON CONTROLS

100 CV Avenue

Waynesboro, PA 17268 USA

Phone: 717-762-2121 • Fax: 717-762-8624

www.johnsoncontrols.com/frick